

eduard

Eiko

F-104J in JASDF service

栄光



Limited Edition
Cat. No. 11130

1/48

11130 - NAV1



Carefully read instruction sheet before assembling. When you use glue or paint, do not use near open flame and use in well ventilated room. Keep out of reach of small children. Children must not be allowed to suck any part, or pull vinyl bag over the head.



Před započítím stavby si pečlivě prostudujte stavební návod. Při používání barev a lepidel pracujte v dobře větrané místnosti. Lepidla ani barvy nepoužívejte v blízkosti otevřeného ohně. Model není určen malým dětem, mohlo by dojít k požití drobných dílů.

INSTRUCTION SIGNS * INSTR. SYMBOLS * INSTRUKTION SINNBILDEN * SYMBOLES * 記号の説明



OPTIONAL
VOLBA



BEND
OHNOU



OPEN HOLE
VYVRTAT OTVOR



SYMMETRICAL ASSEMBLY
SYMETRICKÁ MONTÁŽ



REMOVE
ODŘÍZNOUT



REVERSE SIDE
OTOČIT



APPLY EDUARD MASK
AND PAINT
POUŽÍT EDUARD MASK
NABARVIT

PARTS



DÍLY



TEILE

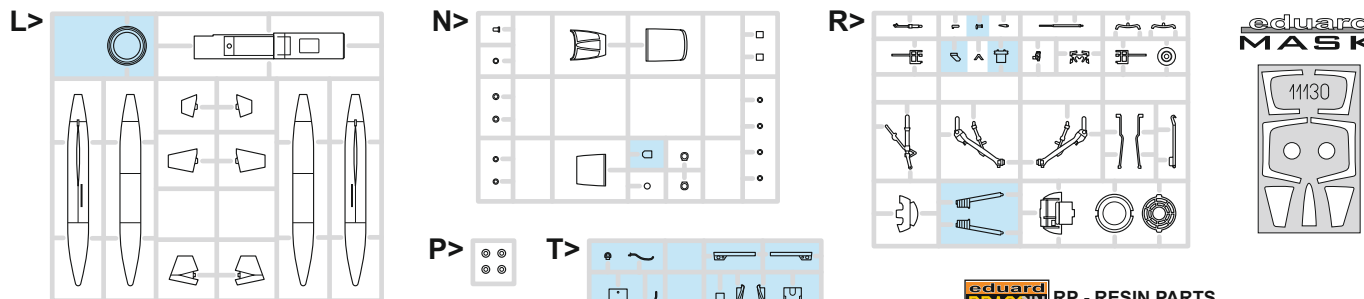
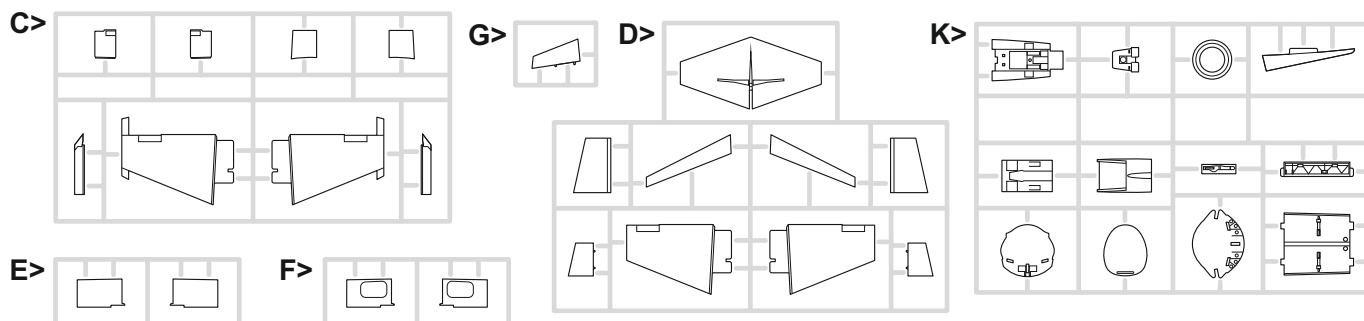
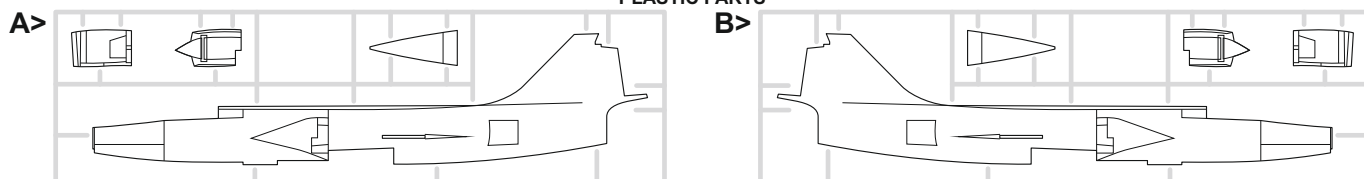


PIÈCES

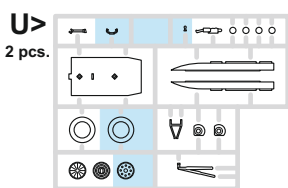
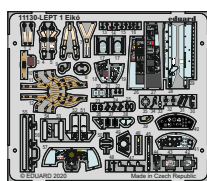


部品

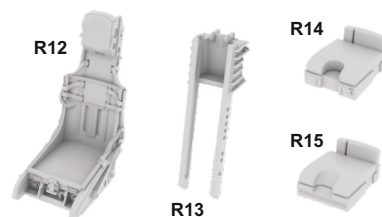
PLASTIC PARTS



Eduard BRASSIN RP - RESIN PARTS

PE - PHOTO ETCHED
DETAIL PARTS

FILM



-Parts not for use. -Teile werden nicht verwendet. -Pièces à ne pas utiliser. -Tyto díly nepoužívejte při stavbě. - 使用しない部品

COLOURS



BARVY



FARBEN



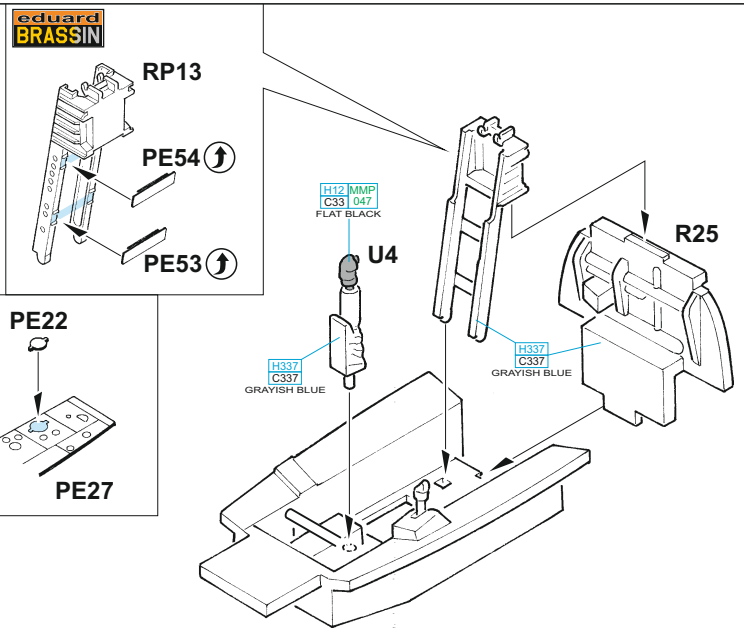
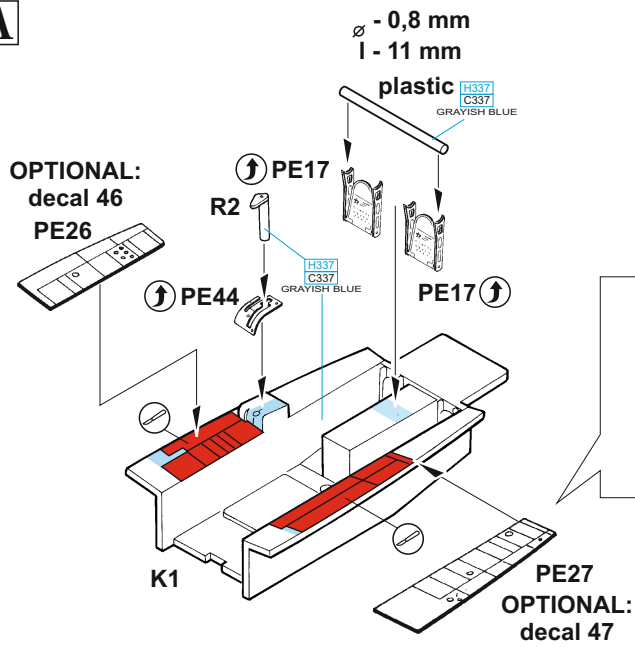
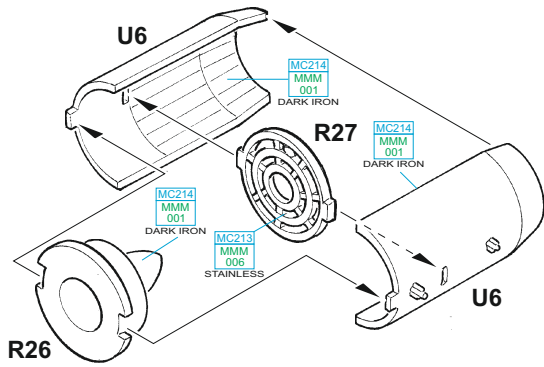
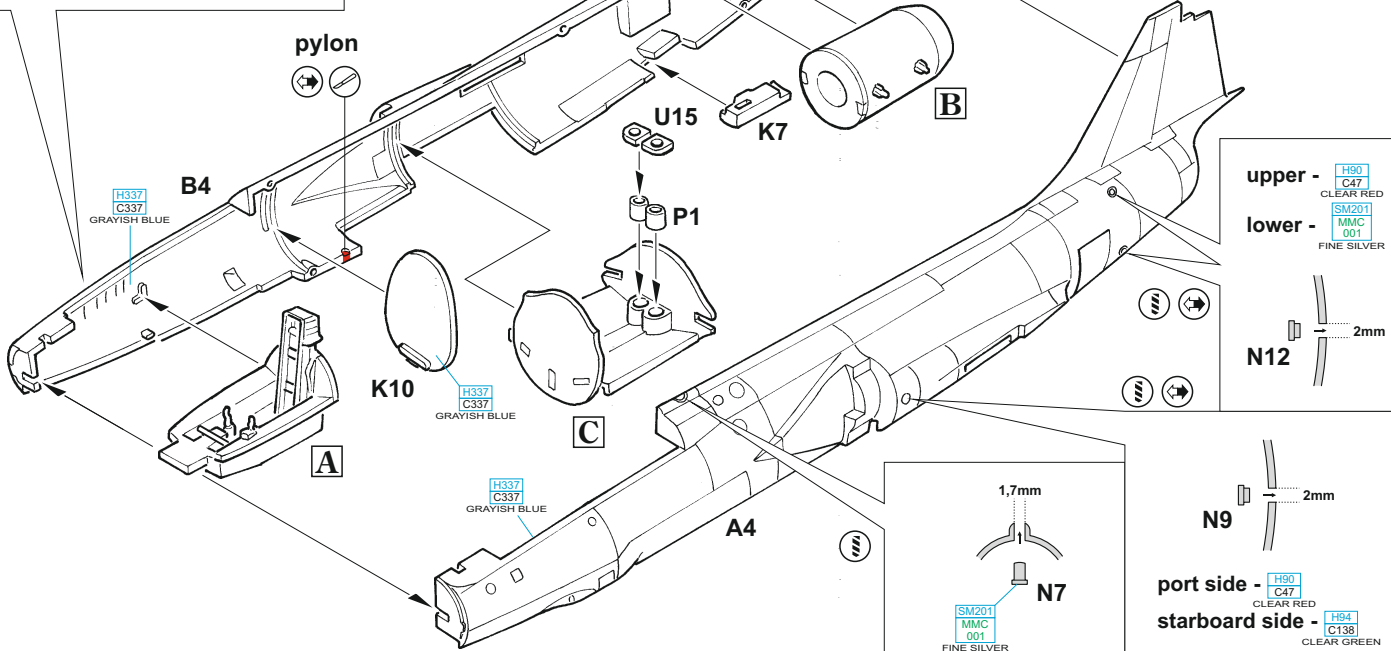
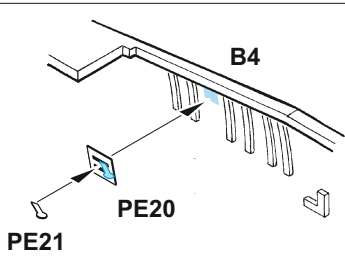
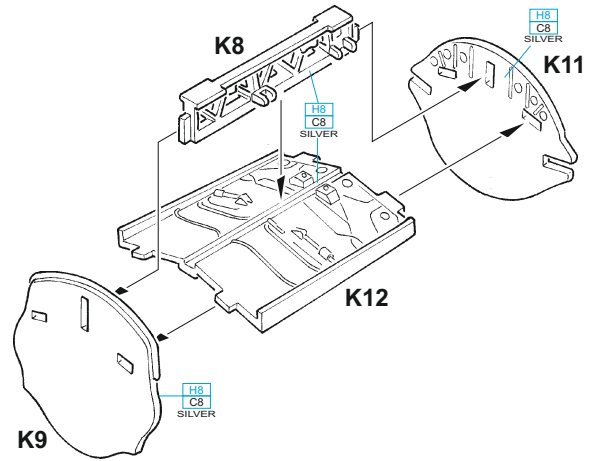
PEINTURE

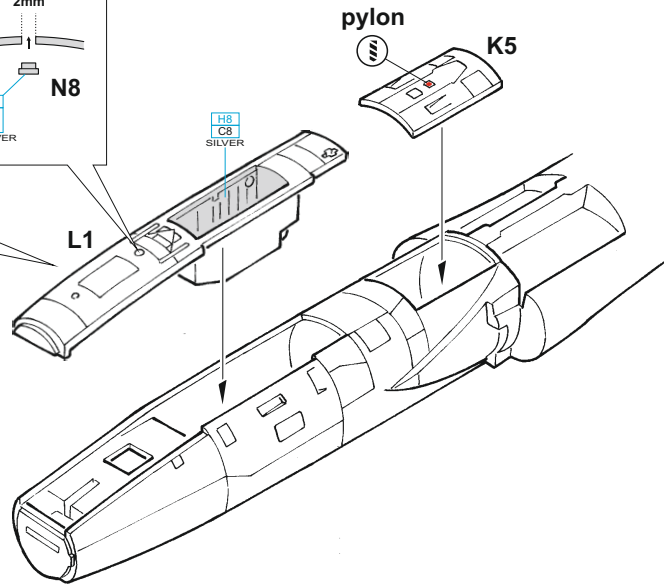
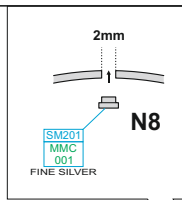
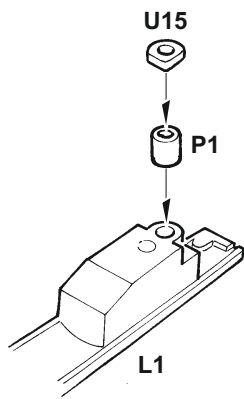


色

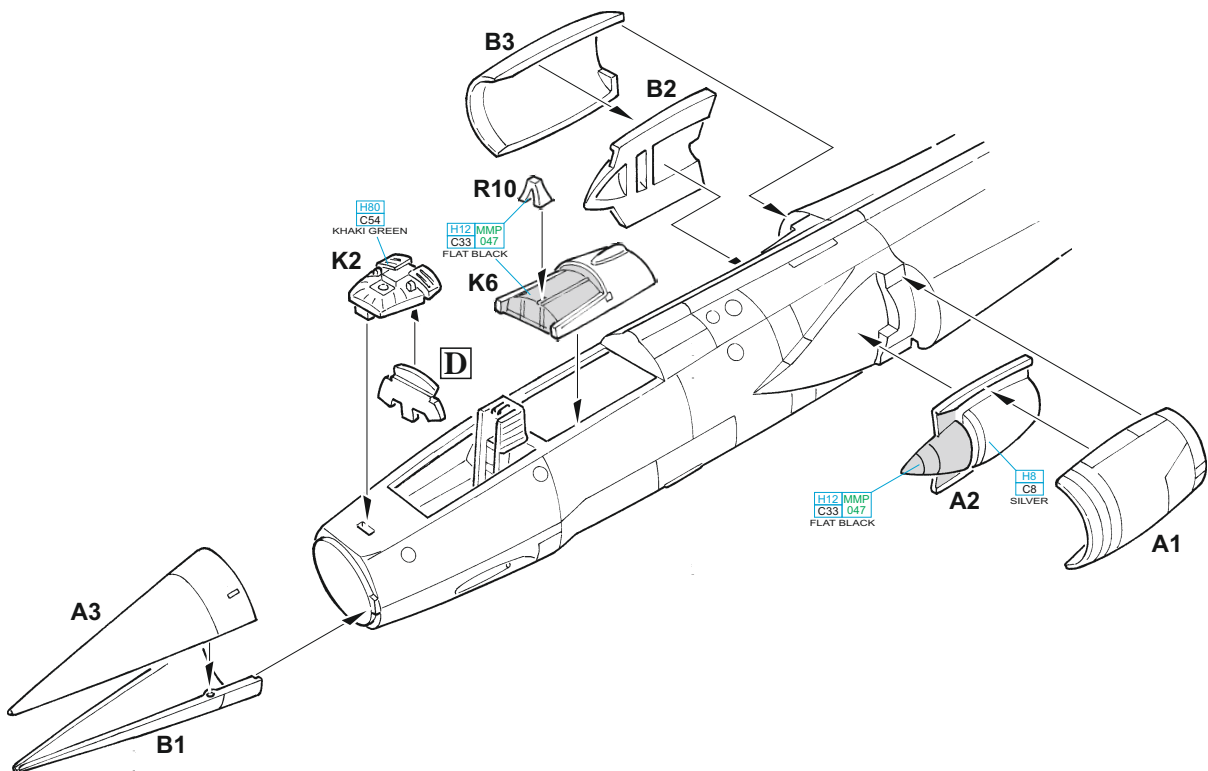
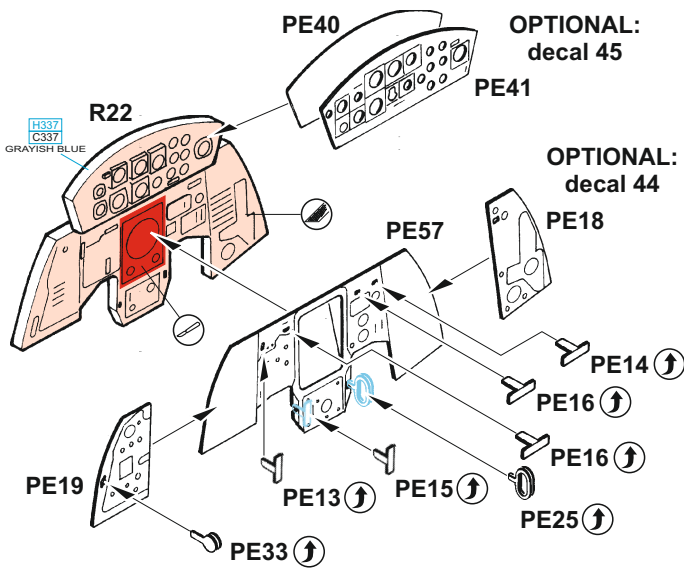
GSI Creos (GUNZE)		MISSION MODELS	
AQUEOUS	Mr.COLOR	PAINTS	
H1	C1	MMP-001	WHITE
H3	C3	MMP-003	RED
H4	C4	MMP-007	YELLOW
H8	C8		SILVER
H11	C62	MMP-001	FLAT WHITE
H12	C33	MMP-047	FLAT BLACK
H24	C58		ORANGE YELLOW
H27	C44		TAN
H56	C368	MMP-071	INTERMEDIATE BLUE
H57	C73		AIRCRAFT GRAY
H77	C137	MMP-040	TIRE BLACK
H80	C54		KHAKI GREEN
H90	C47		CLEAR RED
H94	C138		CLEAR GREEN
H305	C305	MMP-084	GRAY

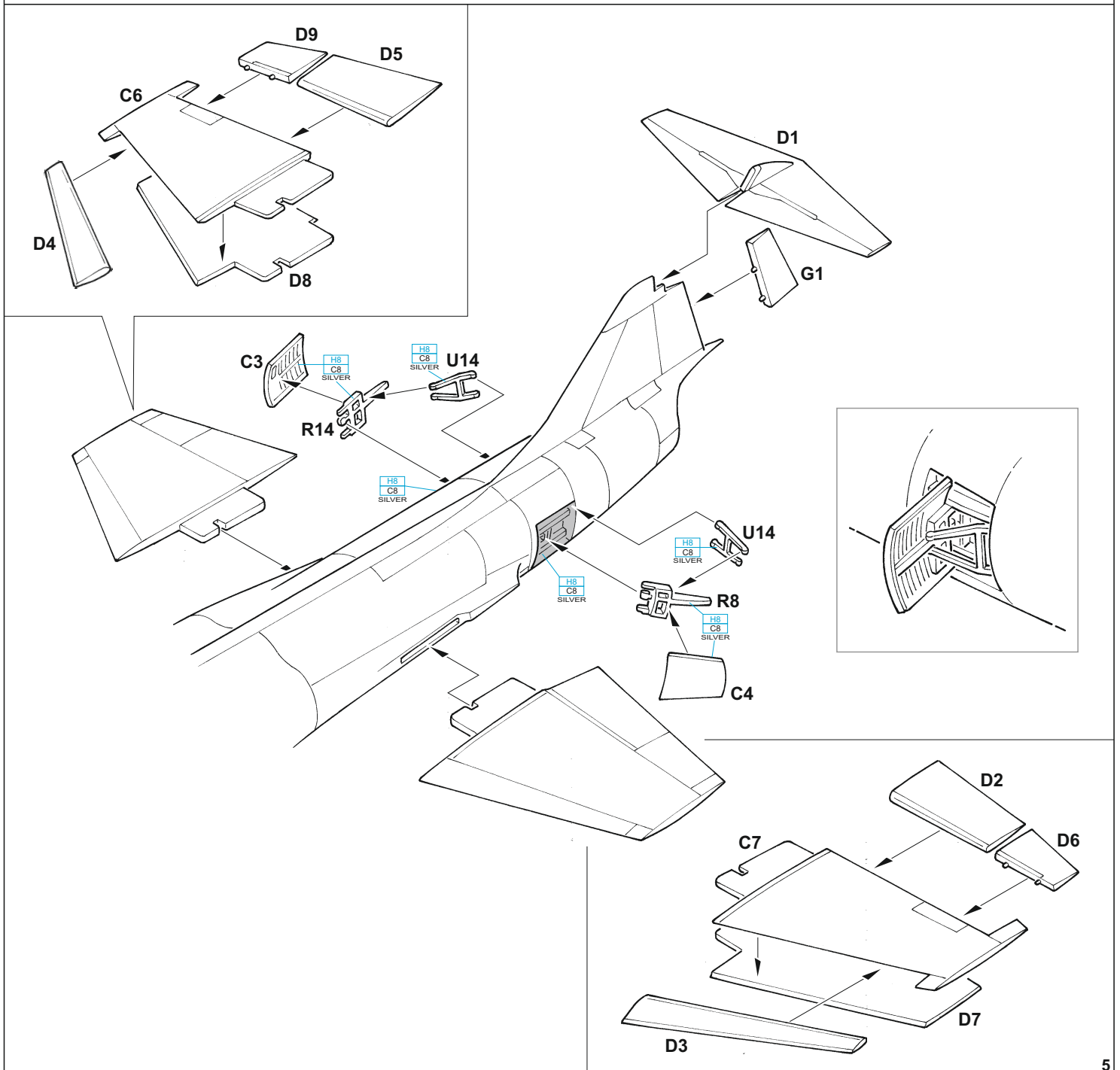
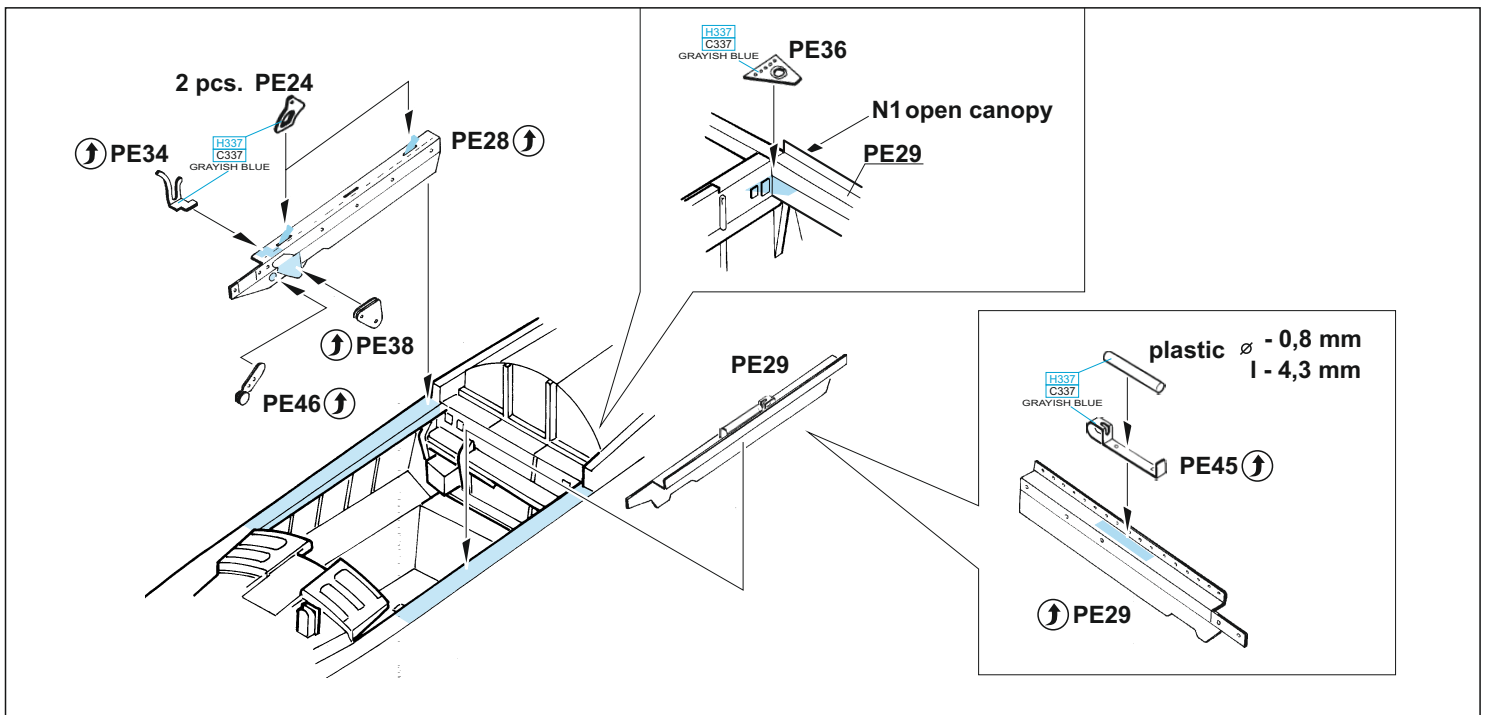
GSI Creos (GUNZE)		MISSION MODELS	
AQUEOUS	Mr.COLOR	PAINTS	
H308	C308	MMP-073	GRAY
H309	C309	MMP-031	GREEN
H323	C323	MMP-092	LIGHT BLUE
H328	C328		BLUE
H334	C334	MMP-102	BARLEY GRAY
H337	C337		GRAYISH BLUE
Mr.METAL COLOR		METALLICS	
MC213		MMM-006	STAINLESS
MC214		MMM-001	DARK IRON
Mr.COLOR SUPER METALLIC		METALLICS	
SM201		MMC-001	SUPER FINE SILVER
SM203			SUPER IRON 2
SM204			SUPER STAINLESS 2
Mr.COLOR GX		METALLICS	
CX05			SUSIE BLUE

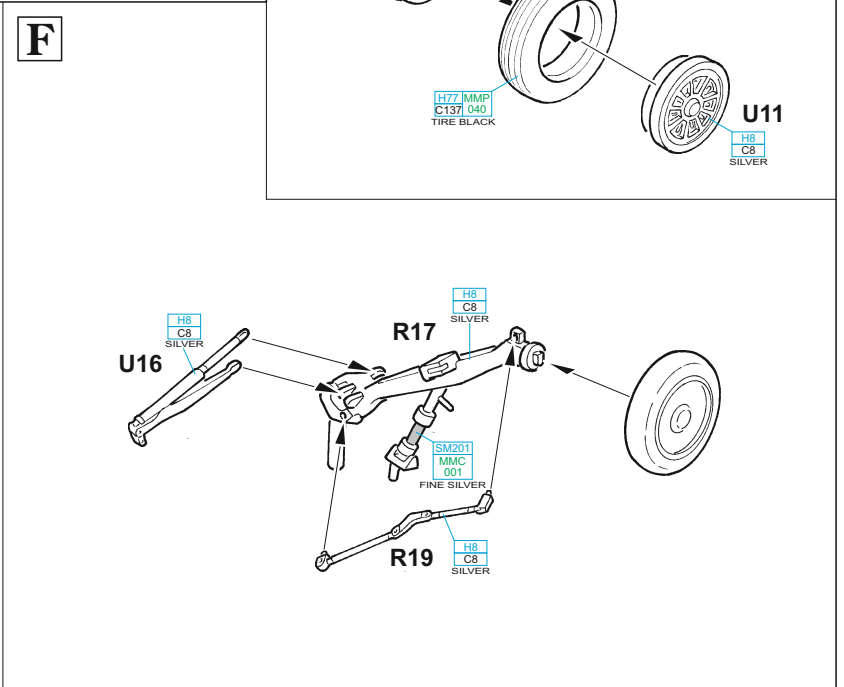
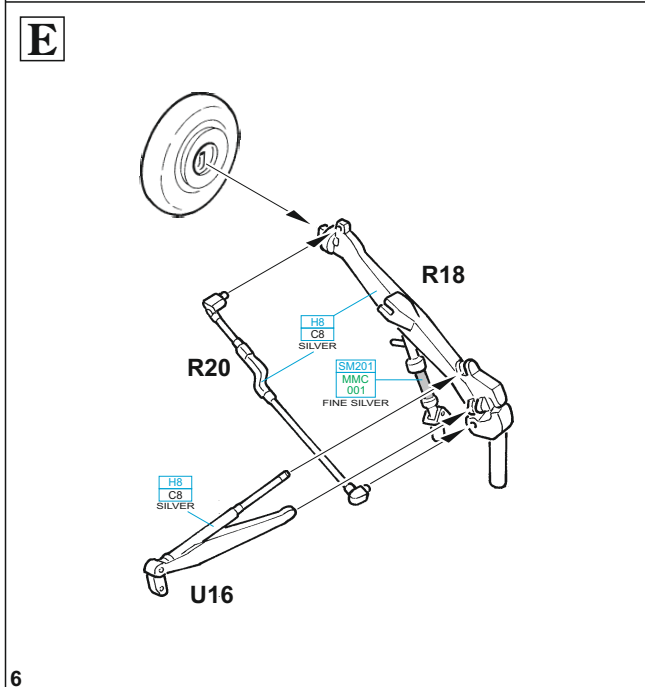
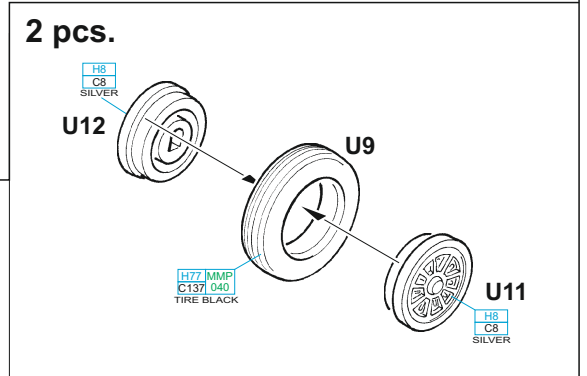
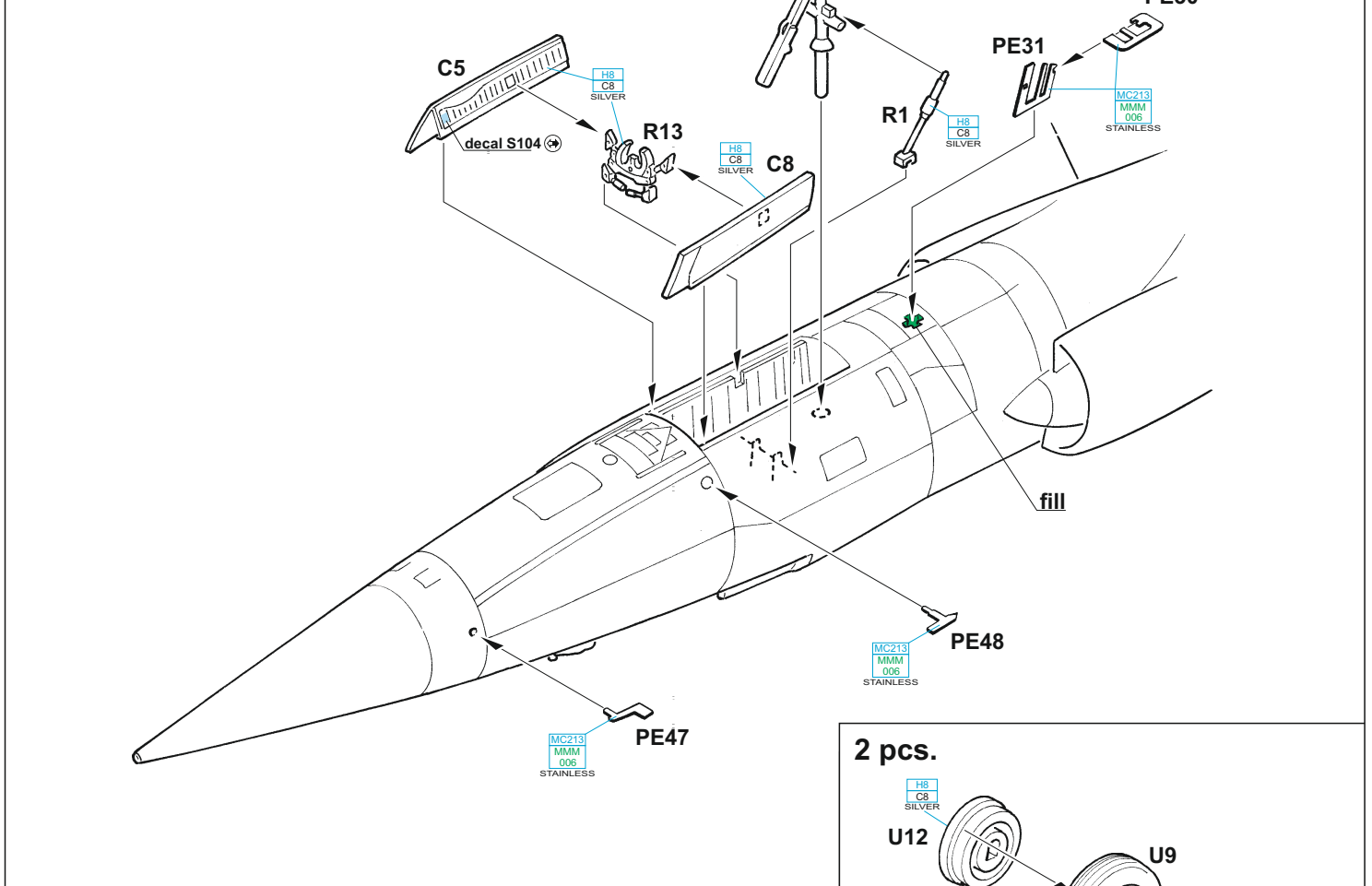
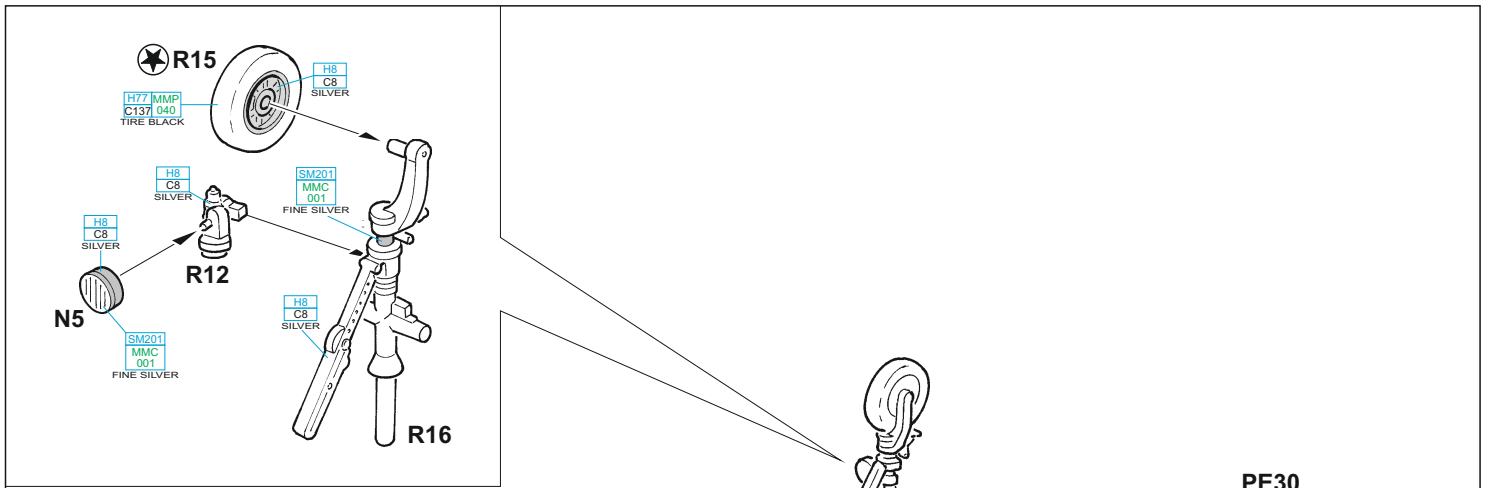
A**B****C**

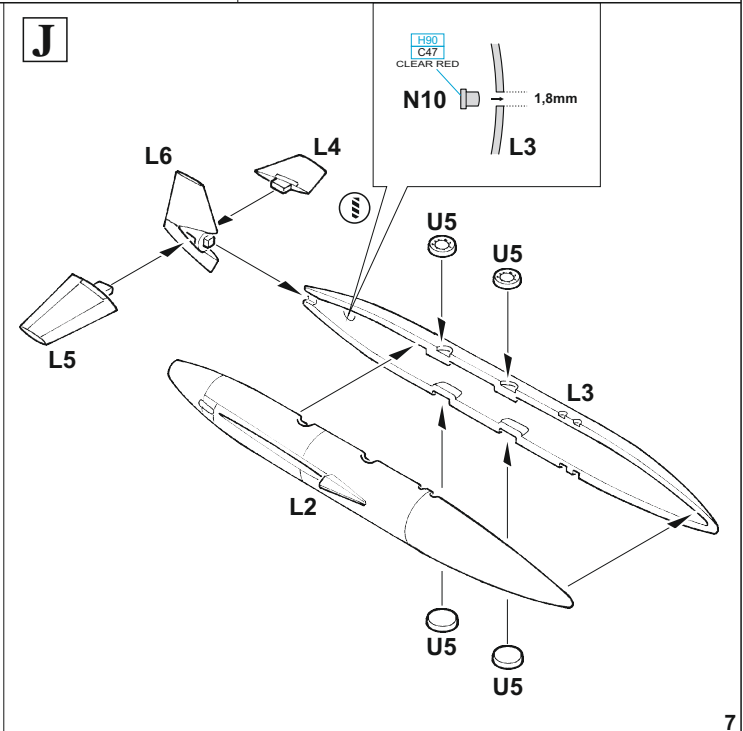
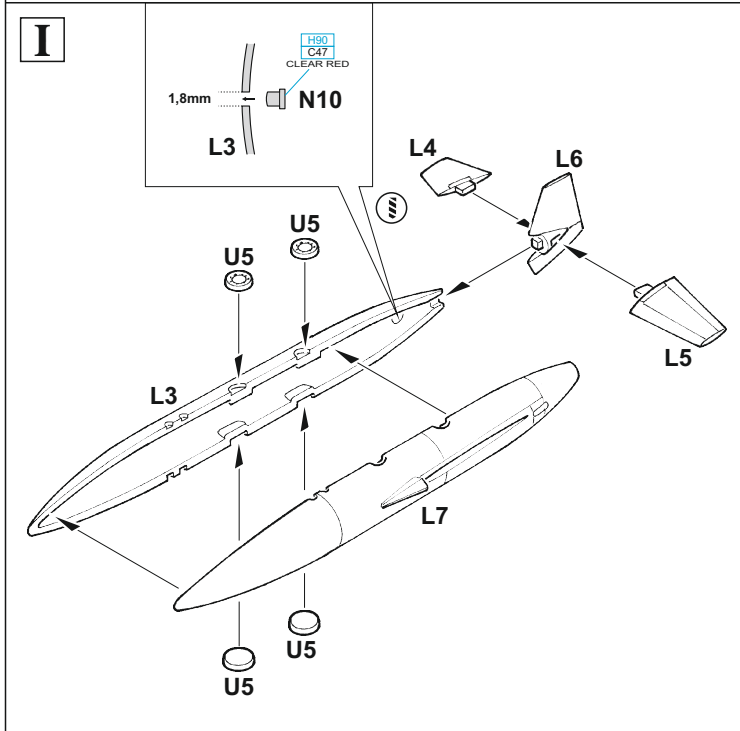
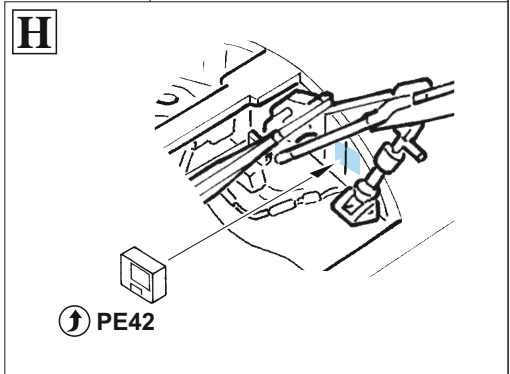
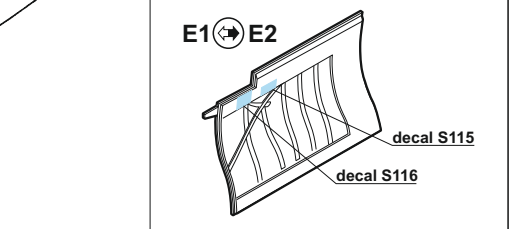
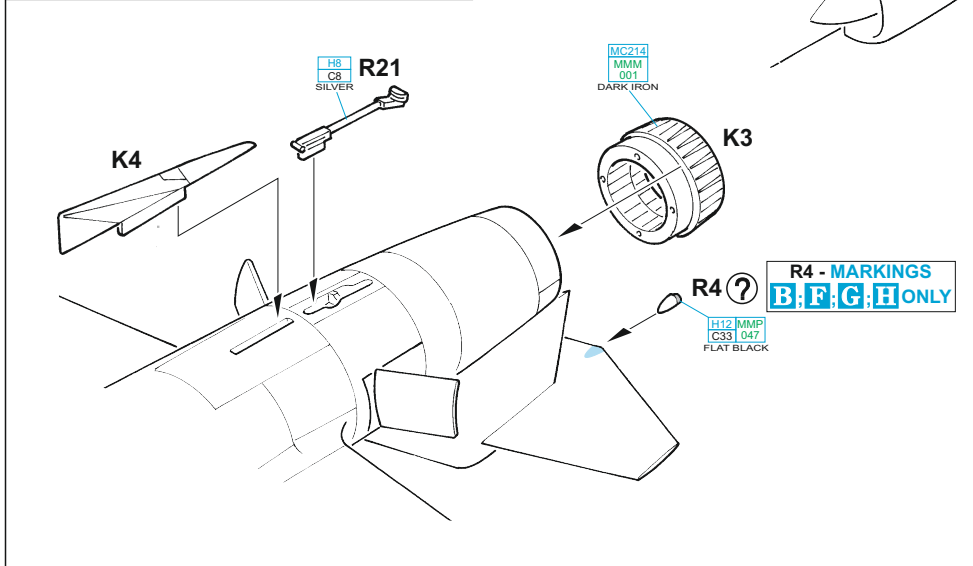
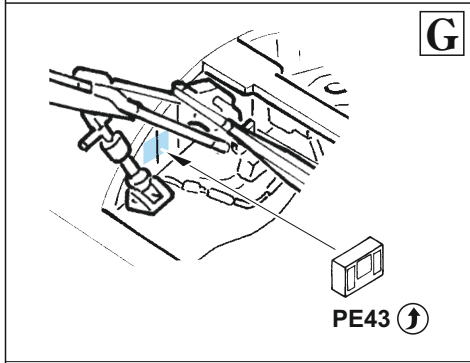
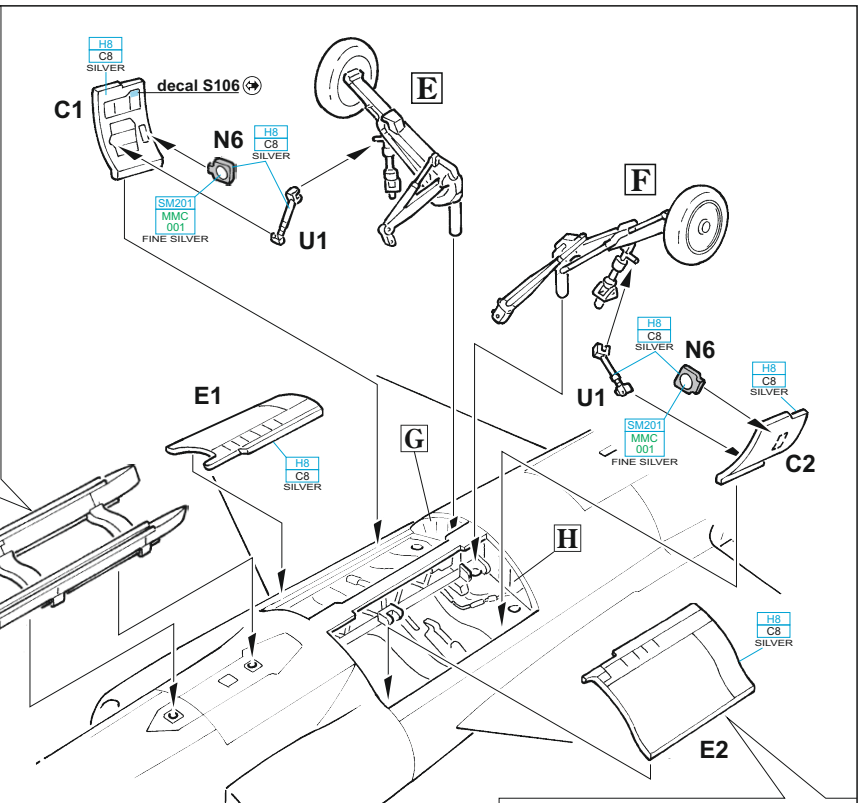
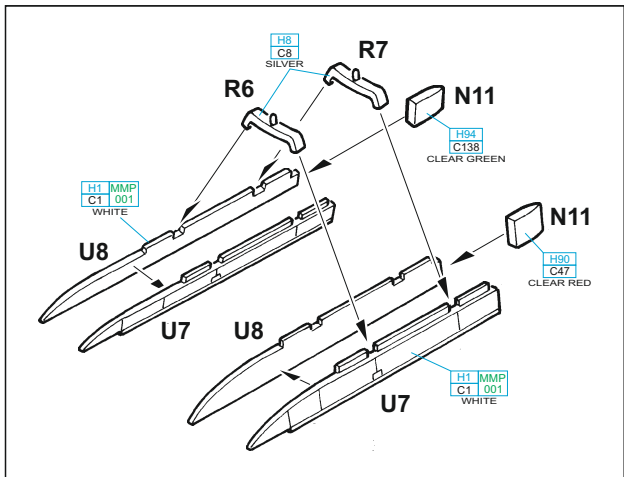


D

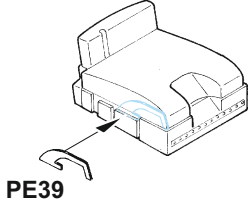






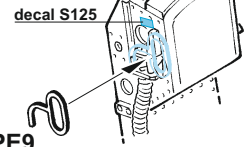


RP15 ? RP14

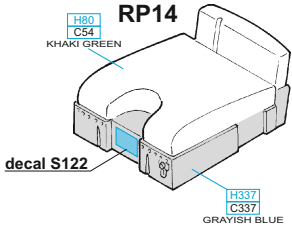


PE39

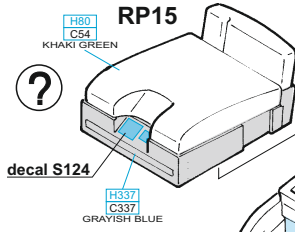
RP12



PE9

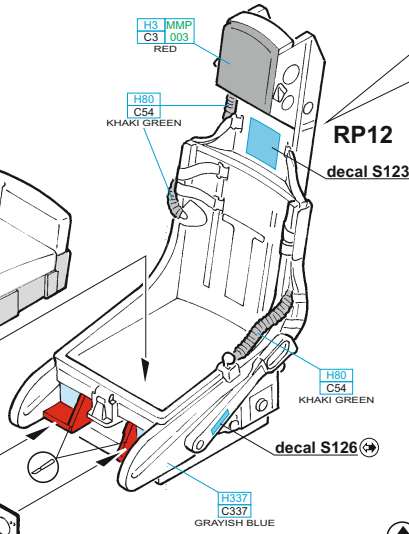


RP14



RP15

?



RP12

decal S123

decal S126

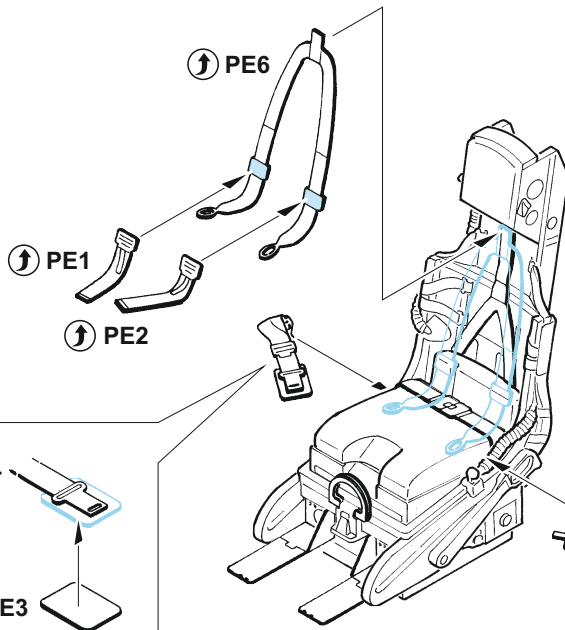
PE51

PE52

PE10

PE8

PE7



PE6

PE1

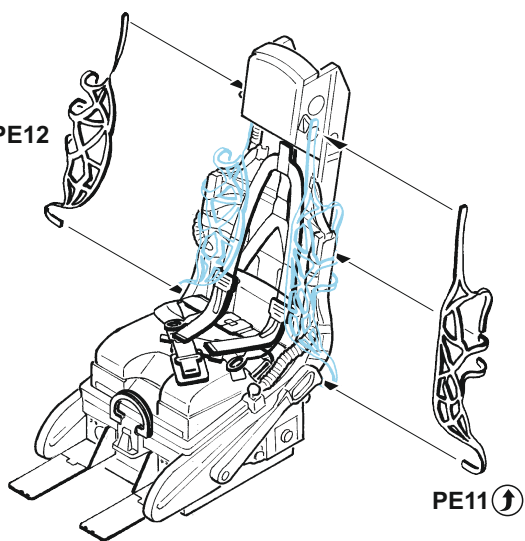
PE2

PE4

PE3

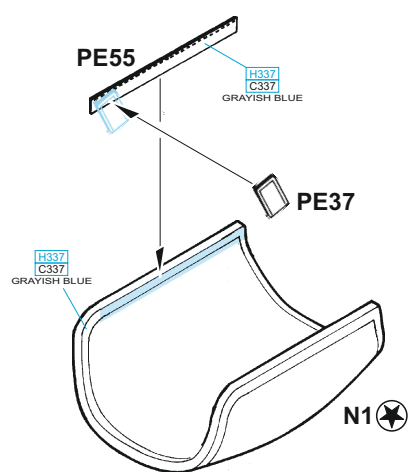
PE5

PE12



PE11

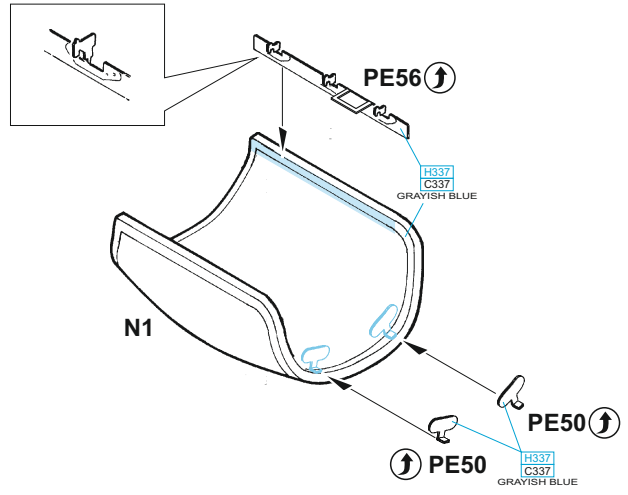
L



PE55

PE37

N1

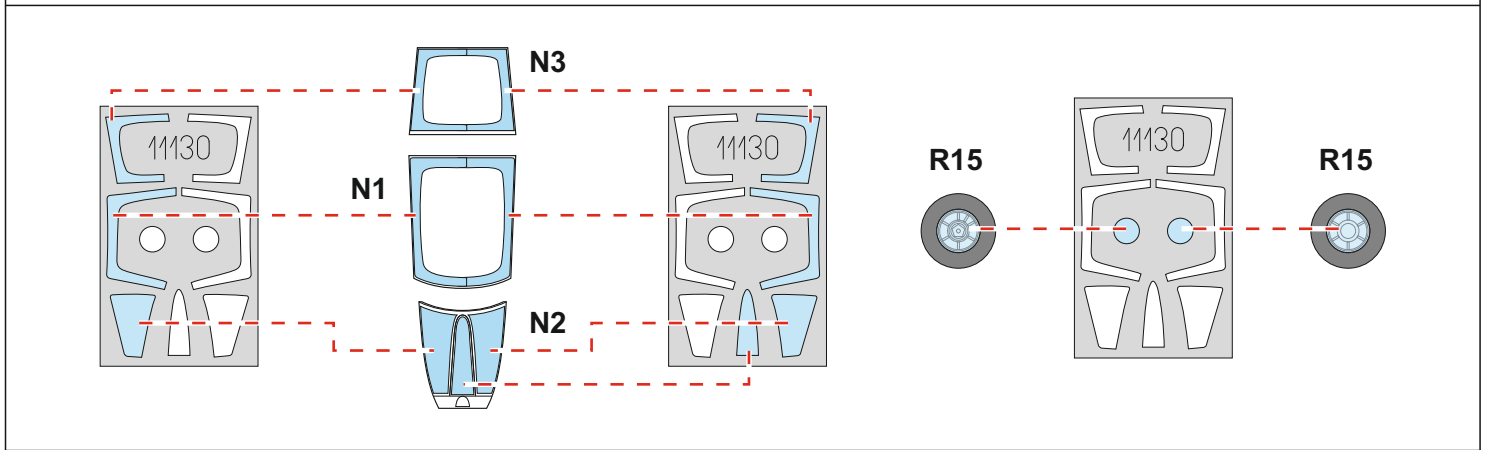
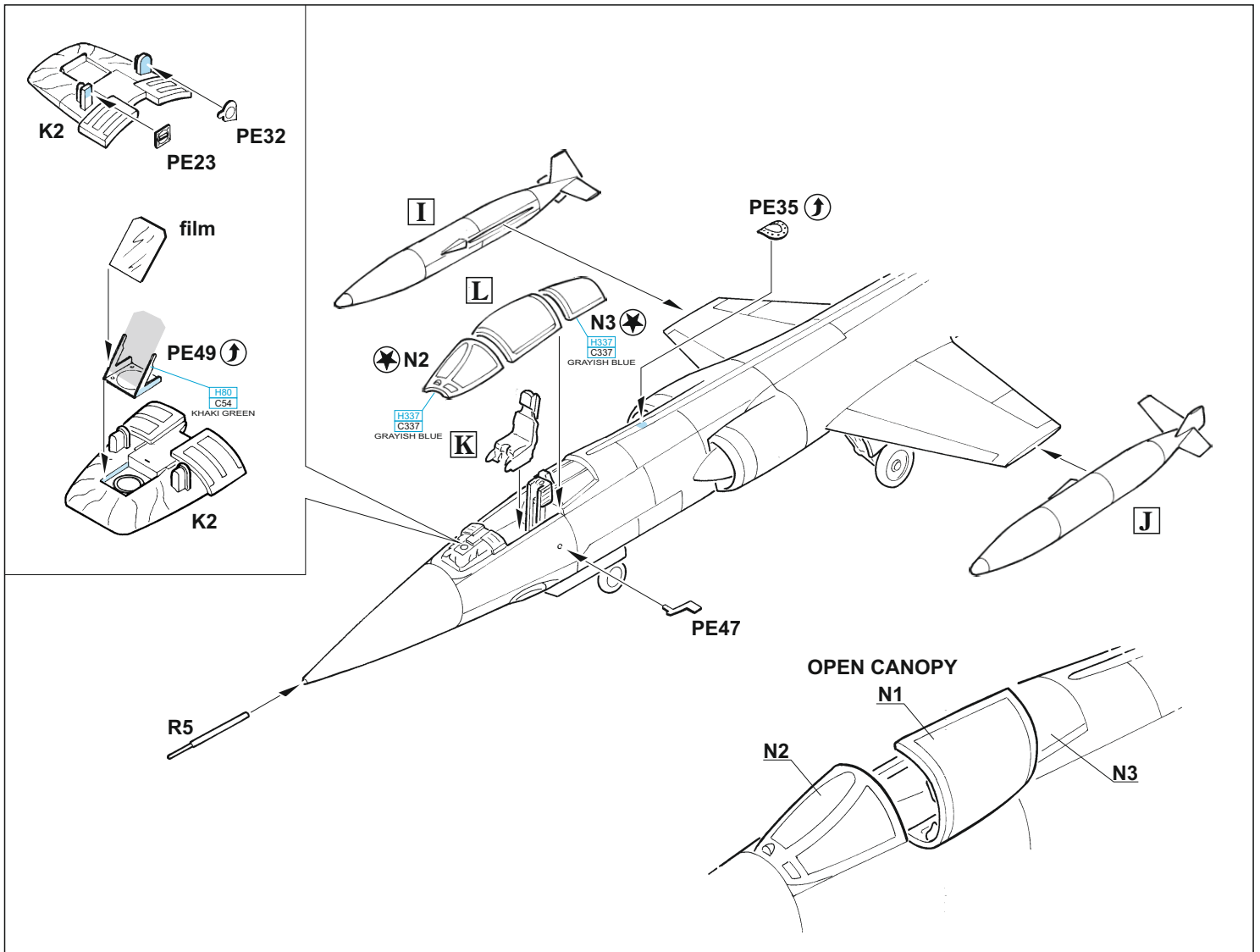


PE56

N1

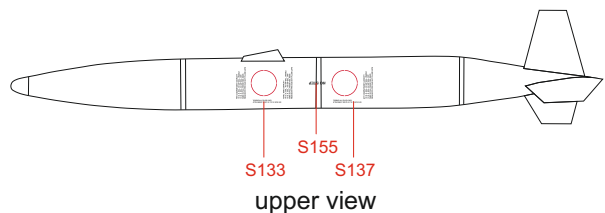
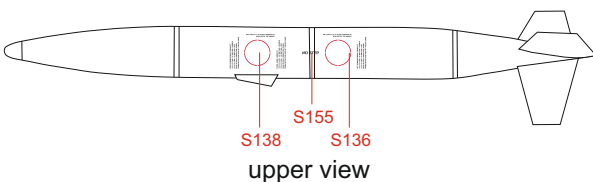
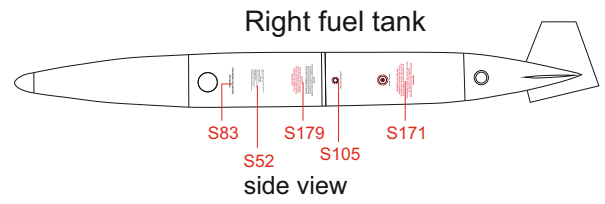
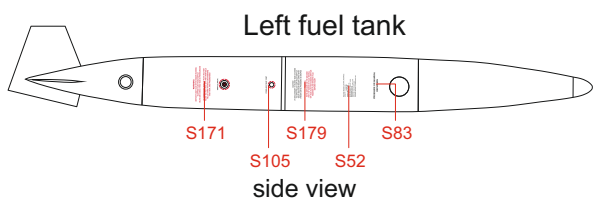
PE50

PE50

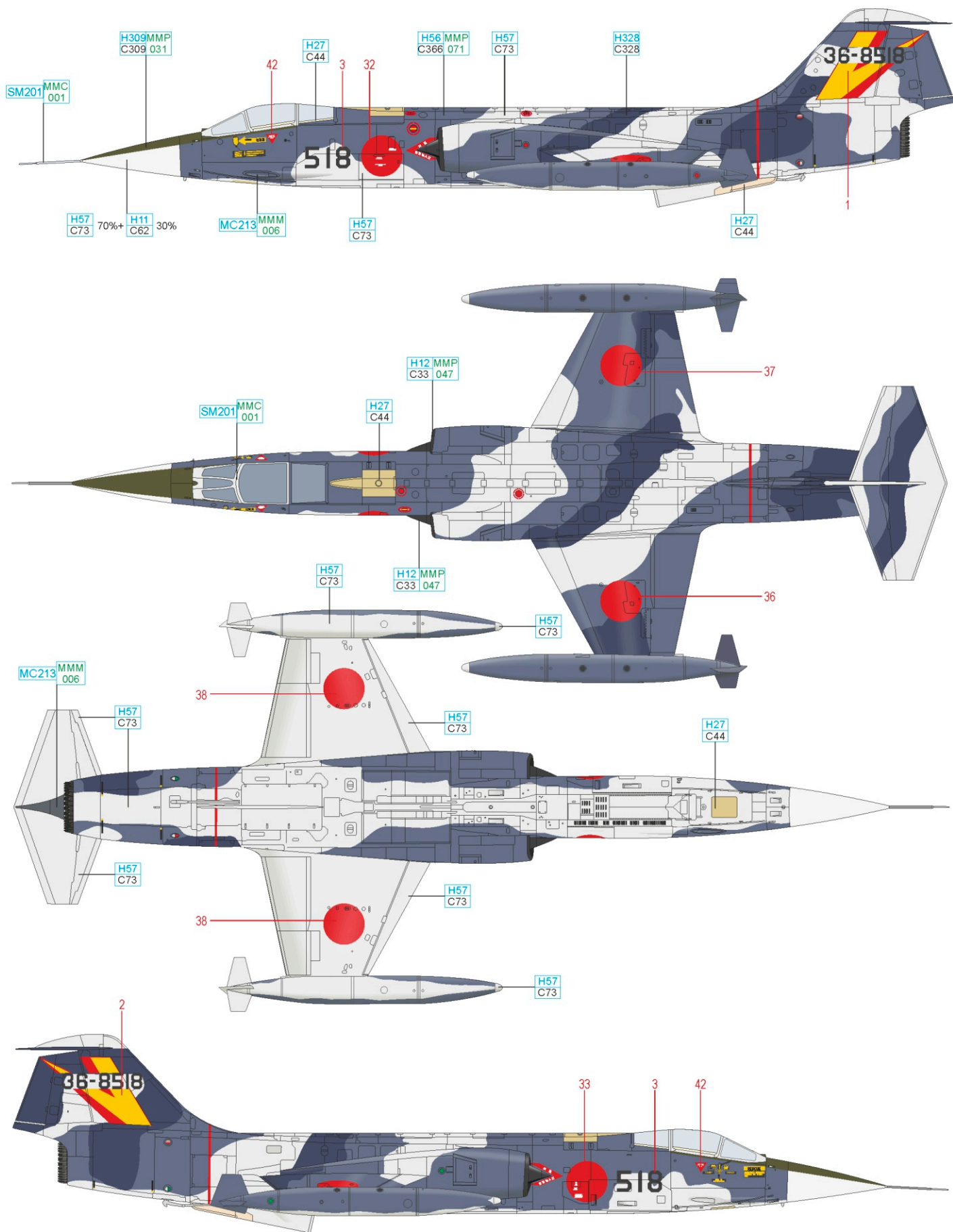


F-104J

STENCIL VARIANTS

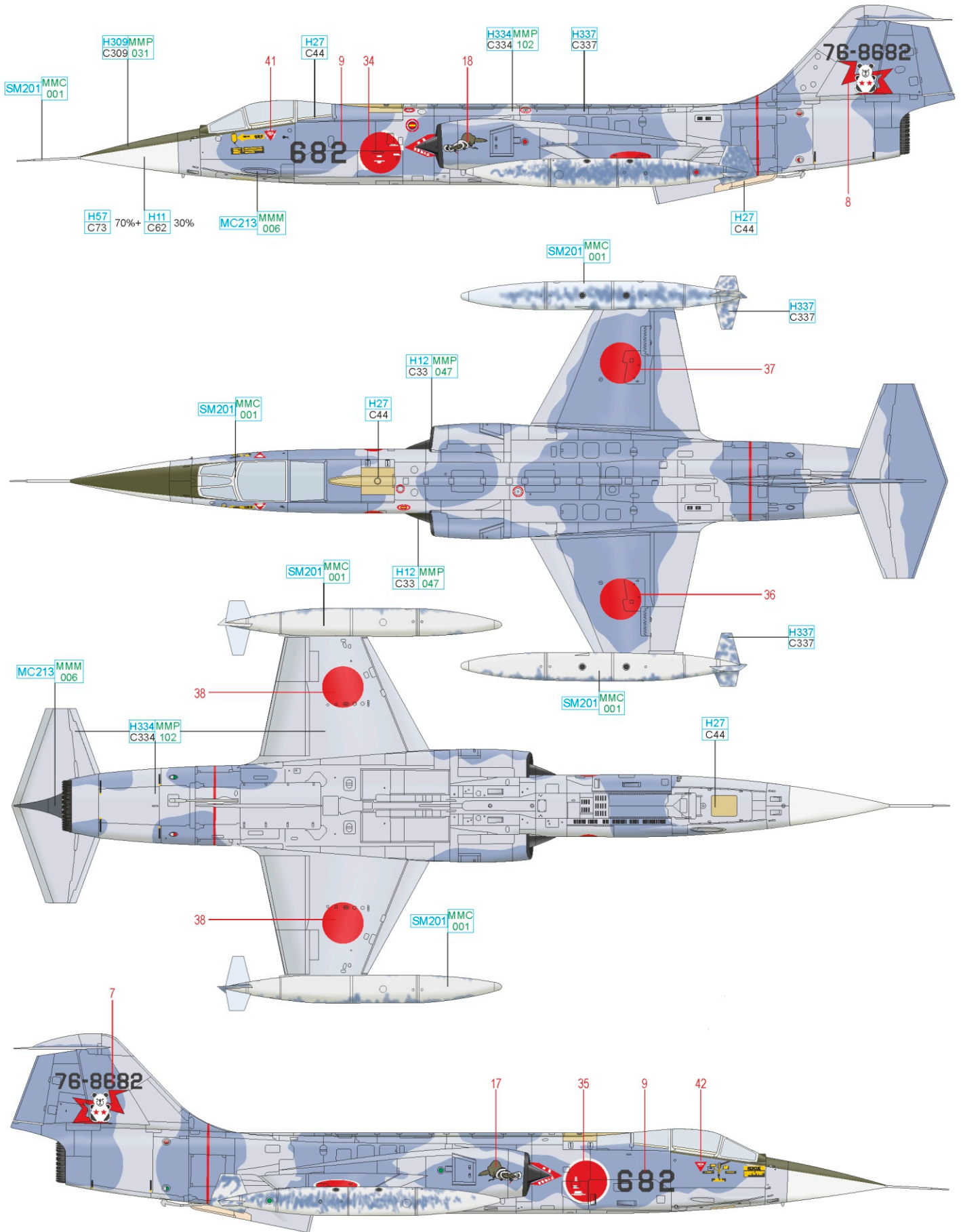


A s/n 36-8518, 202. Hikótai, Komacu, Japonsko, březen 1982

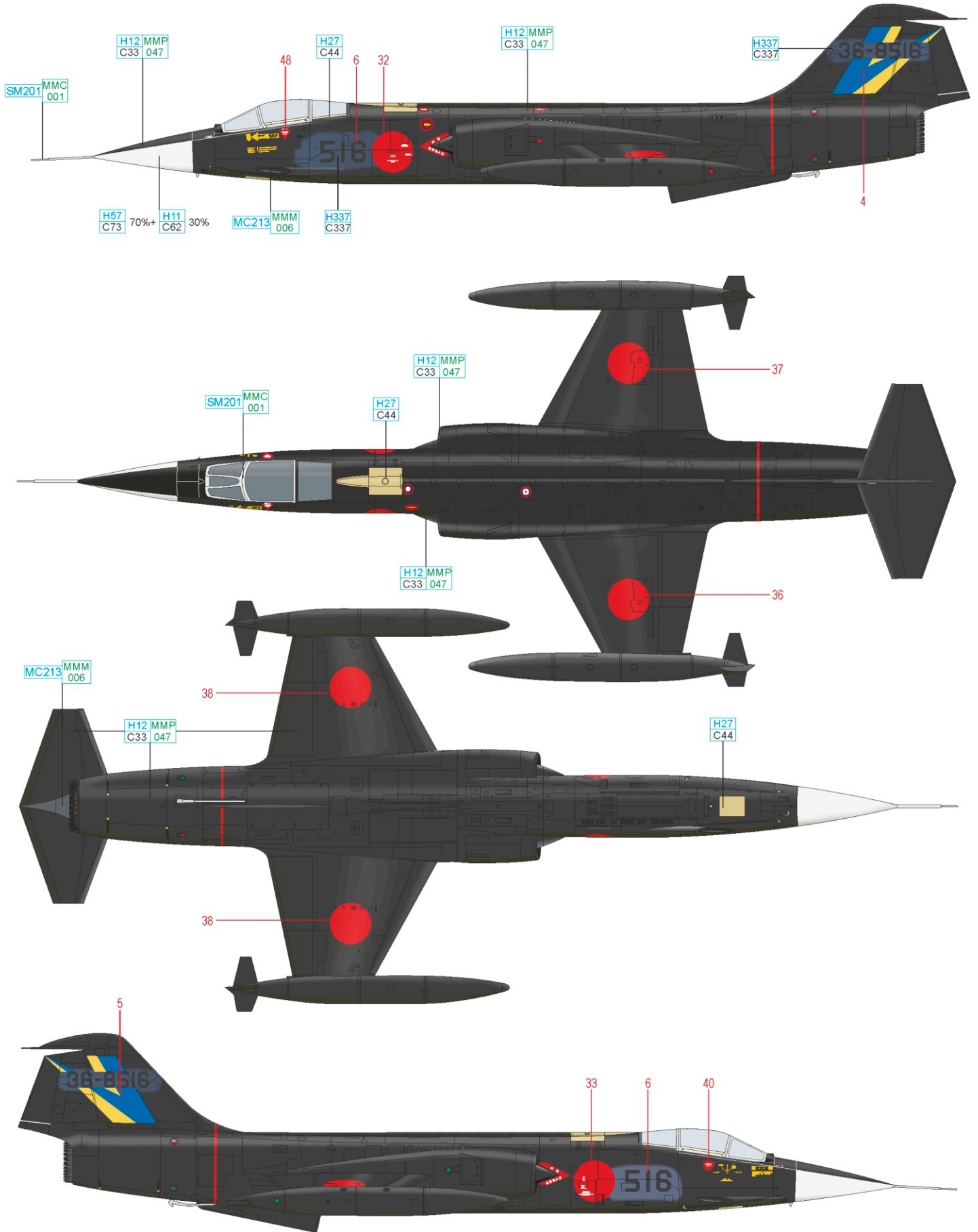


STAINLESS	MC213	MMM 006	GREEN	H309MMP C309 031	WHITE	H11 C62			
SUPER FINE SILVER	SM201	MMC 001	BLACK	H12 MMP C33 047	LIGHT GRAY	H57 C73			
				BLUE	H328 C328	BLUE	H56 MMP C366 071	TAN	H27 C44

B s/n 76-8682, 203. Hikótai, Komacu, Japonsko, červen 1982

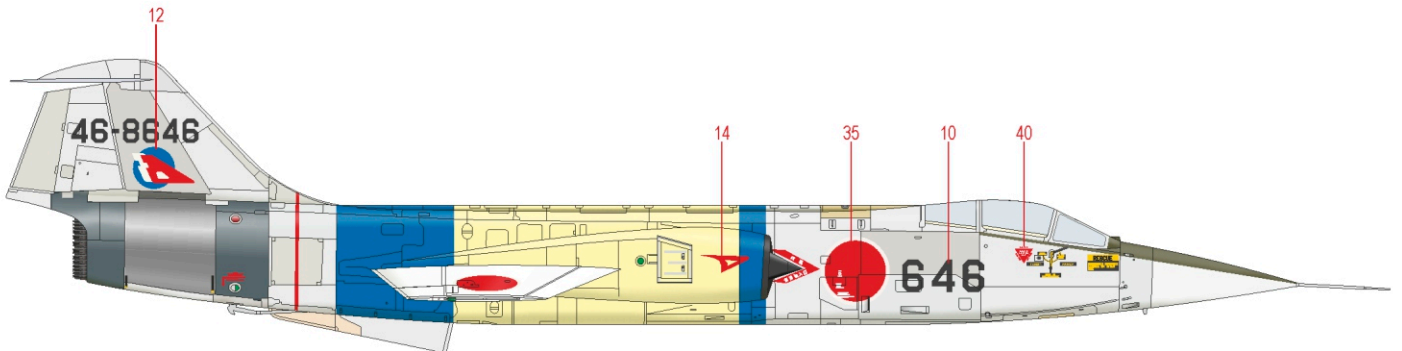
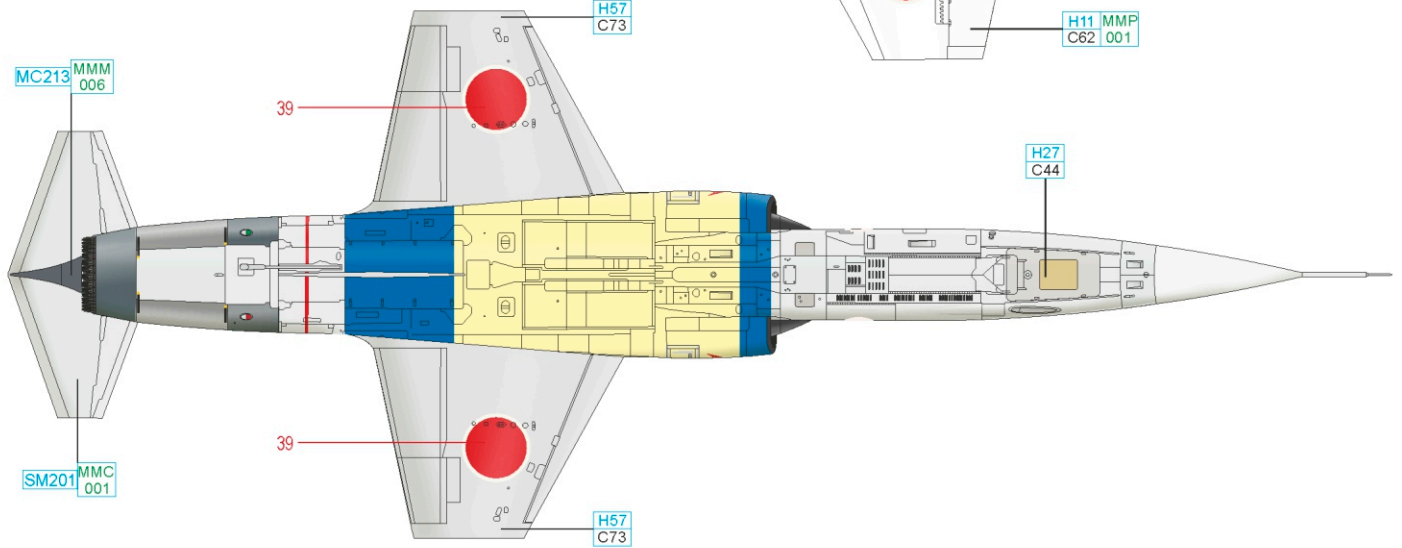
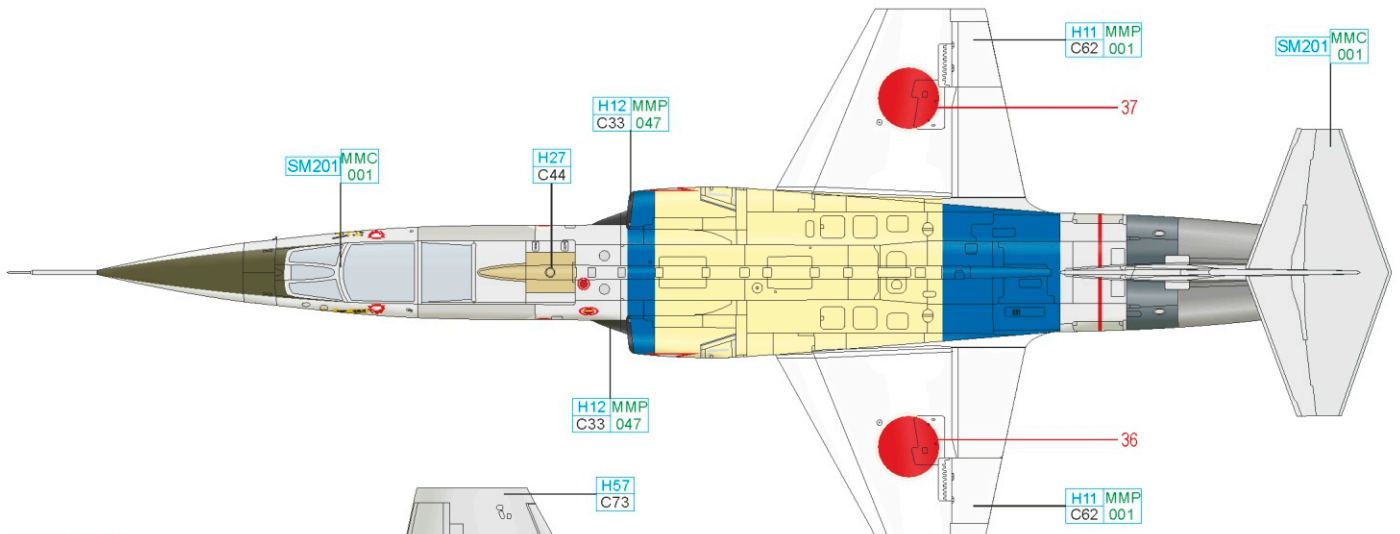
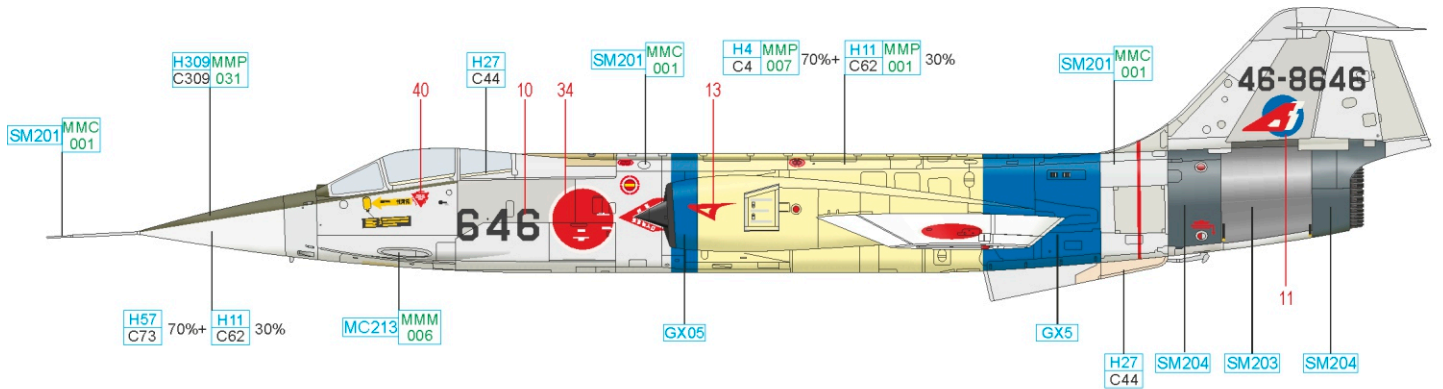


STAINLESS	MC213	MMM 006	GREEN	H309 MMP C309 031	WHITE	H11 C62	LIGHT GRAY	H57 C73		
SUPER FINE SILVER	SM201	MMC 001	BLACK	H12 MMP C33 047	GRAY	H334 MMP C334 102	GRAY	H337 C337	TAN	H27 C44



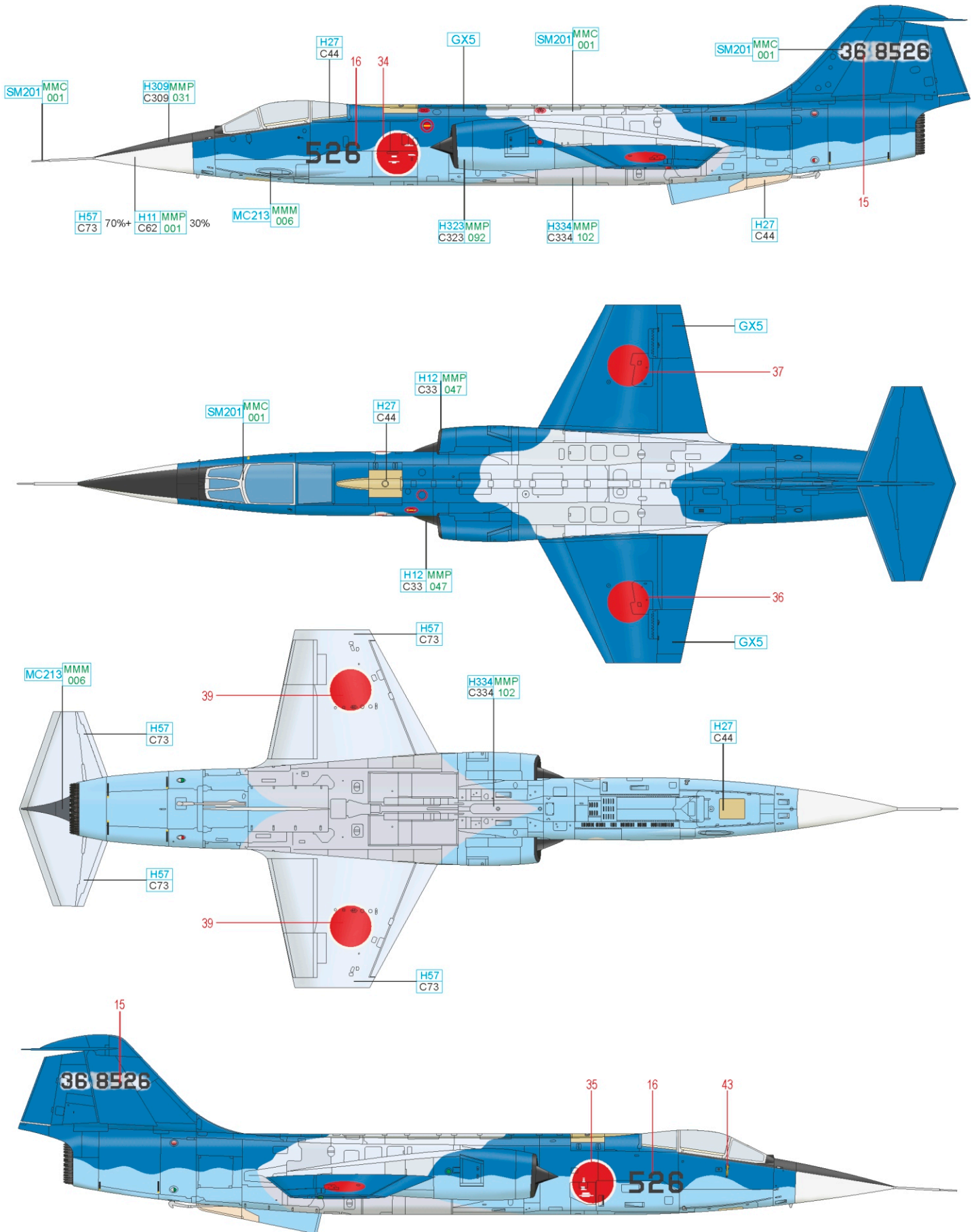
STAINLESS	MC213	MMM 006
SUPER FINE SILVER	SM201	MMC 001
BLACK	H12 MMP C33 047	WHITE H11 C62
LIGHT GRAY	H57 C73	TAN H27 C44
GRAY	H337 C337	

D s/n 46-8646, 205. Hikótai, Komacu, Japonsko, říjen 1979



STAINLESS	MC213	MMM	006	GREEN	H309 MMP	C309 031	SUPER IRON	SM203	SUPER STAINLESS	SM204								
SUPER FINE SILVER	SM201	MMC	001	BLACK	H12 MMP	C33 047	WHITE	H11 MMP	C62 001	LIGHT GRAY	H57 C73	TAN	H27 C44	YELLOW	H4 MMP	C4 007	BLUE	GX5

E s/n 36-8526, 205. Hikótai, Komacu, Japonsko, listopad 1980

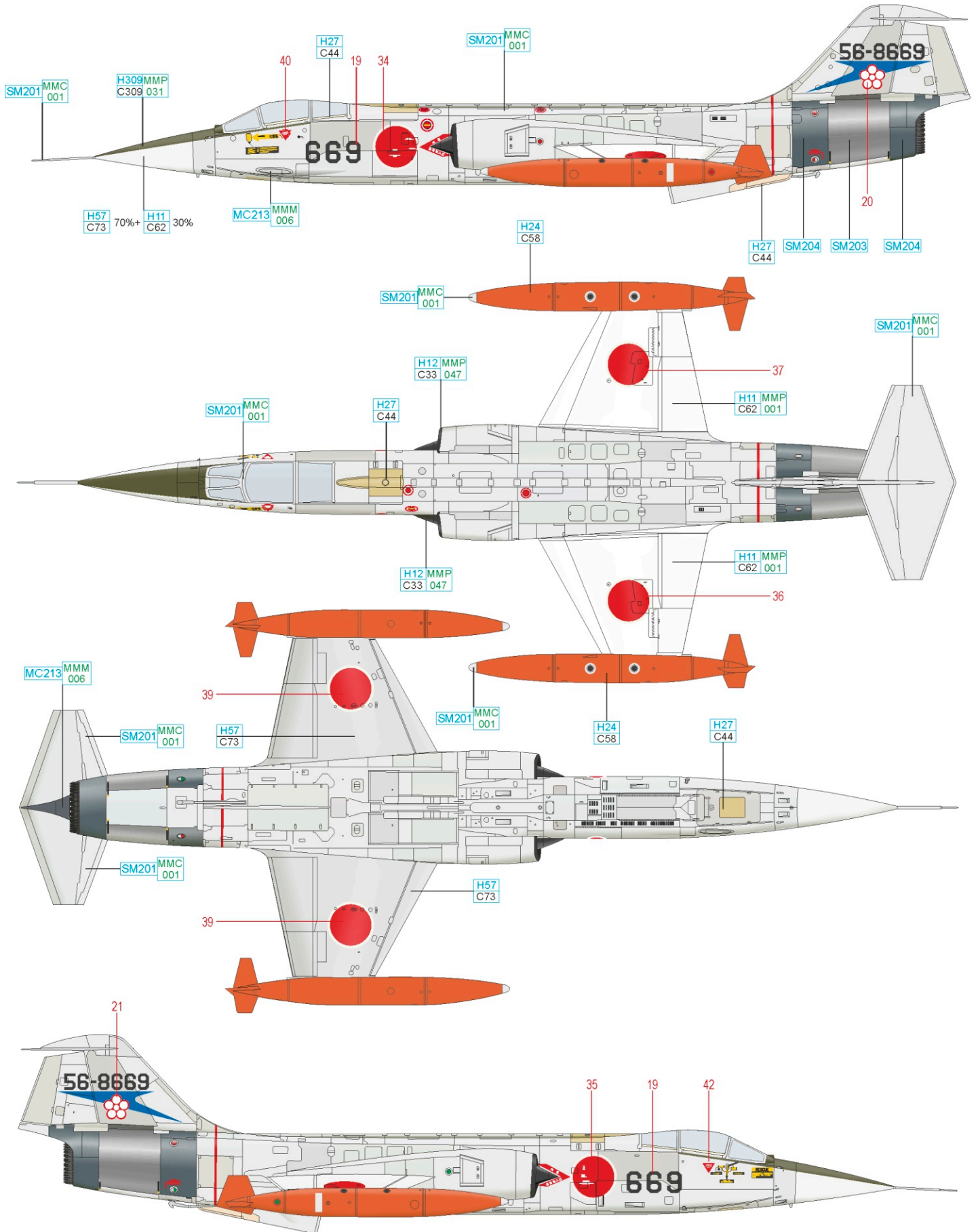


STAINLESS MC213 MMM 006 GREEN H309MMP C309 031 BLUE GX5

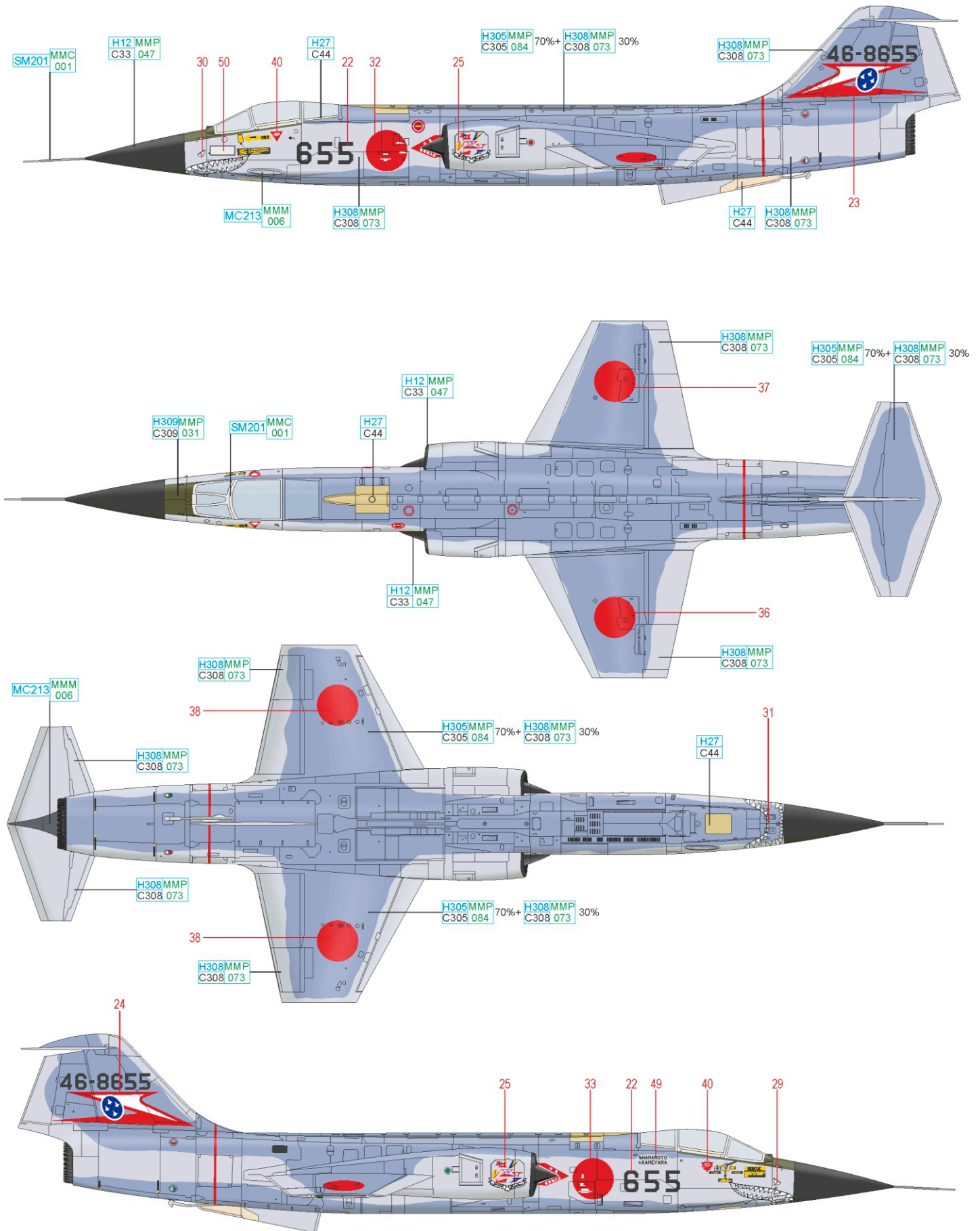
SUPER FINE SILVER SM201 MMC 001 BLACK H12 MMP C33 047 WHITE H11 C62 LIGHT GRAY H57 C73 TAN H27 C44 BLUE H323MMP C323 092 GRAY H334MMP C334 102

eduard

F s/n 56-8669, 206. Hikótai, Hjakuri, Japonsko, prosinec 1973

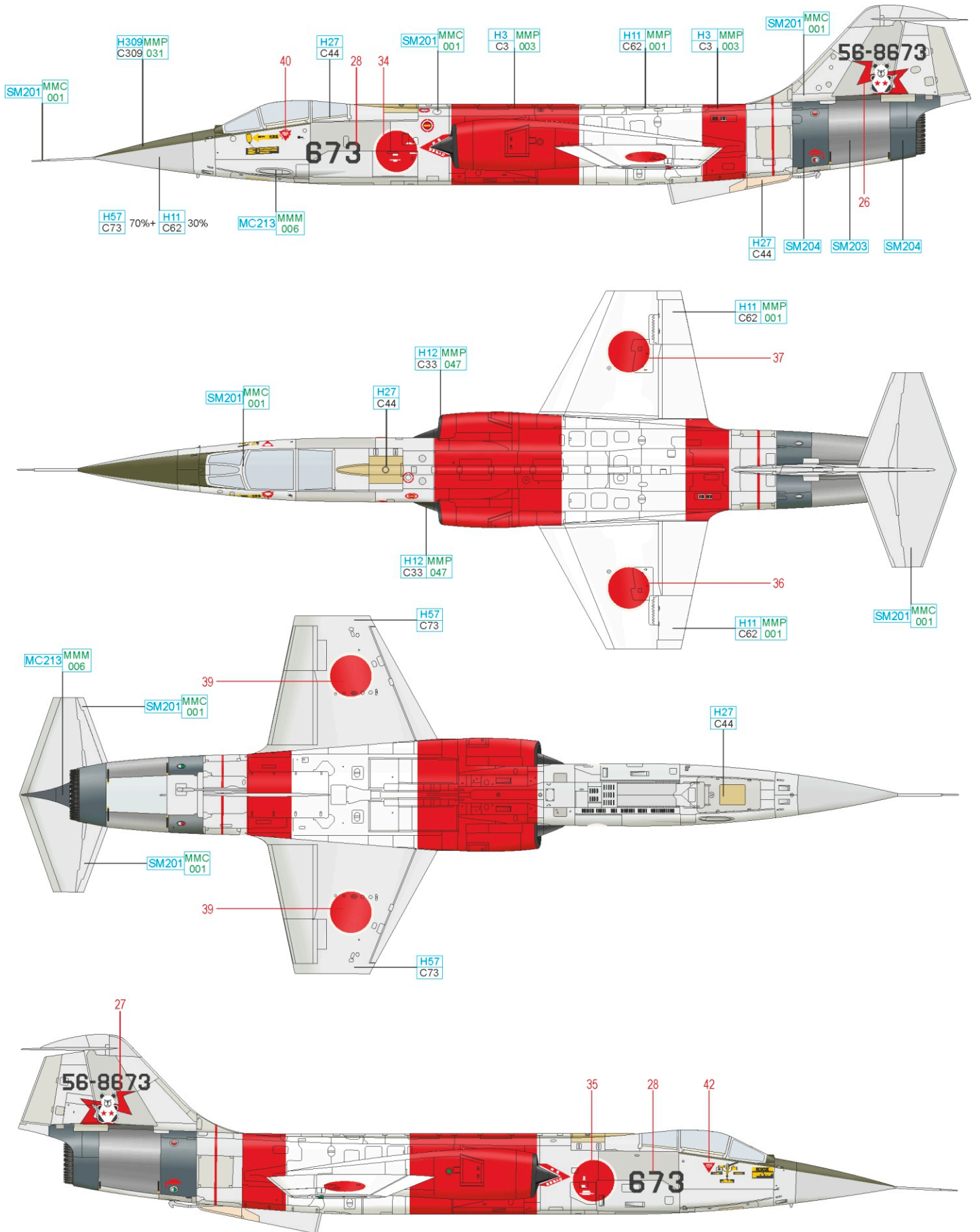


STAINLESS	MC213	MMM	006	SUPER IRON	SM203	SUPER STAINLESS	SM204	GREEN	H309	MMP	C309	031	
SUPER FINE SILVER	SM201	MMC	001	BLACK	H12	MMP	C33	047	WHITE	H11	MMP	C62	001
									LIGHT GRAY	H57	C73		
									TAN	H27	C44		
									ORANGE	H24	C58		

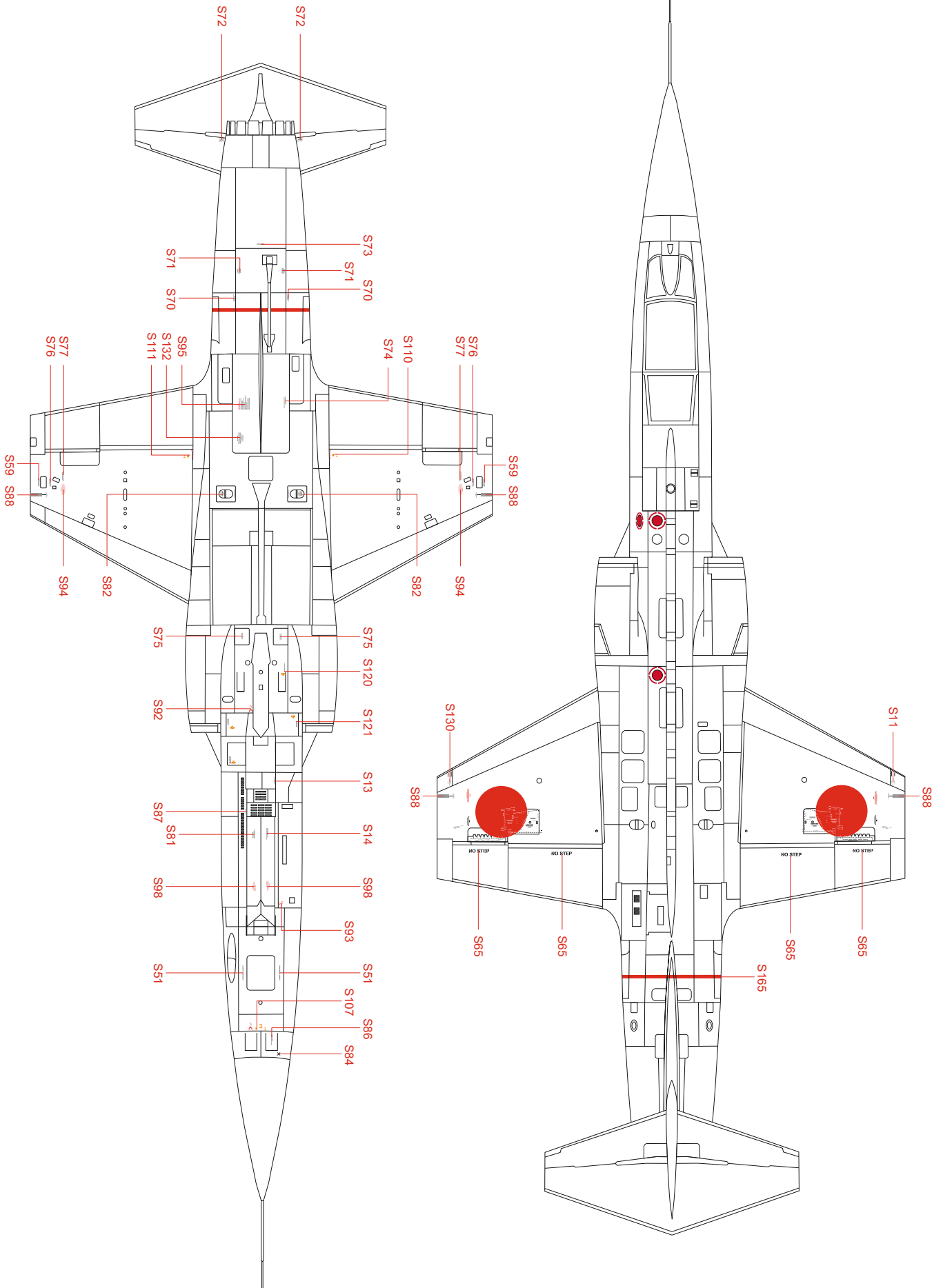


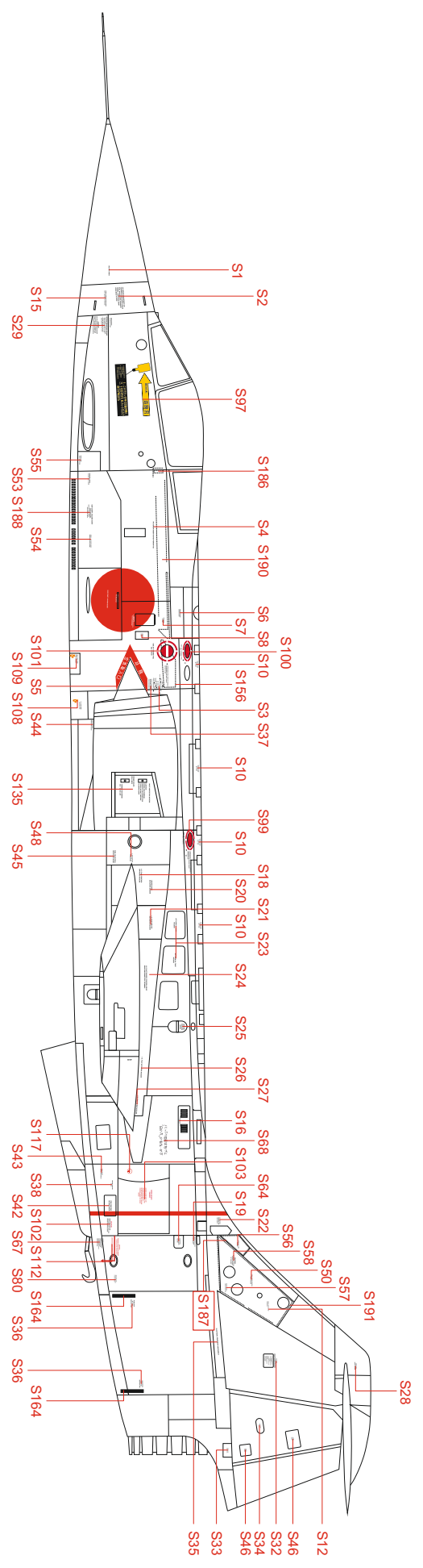
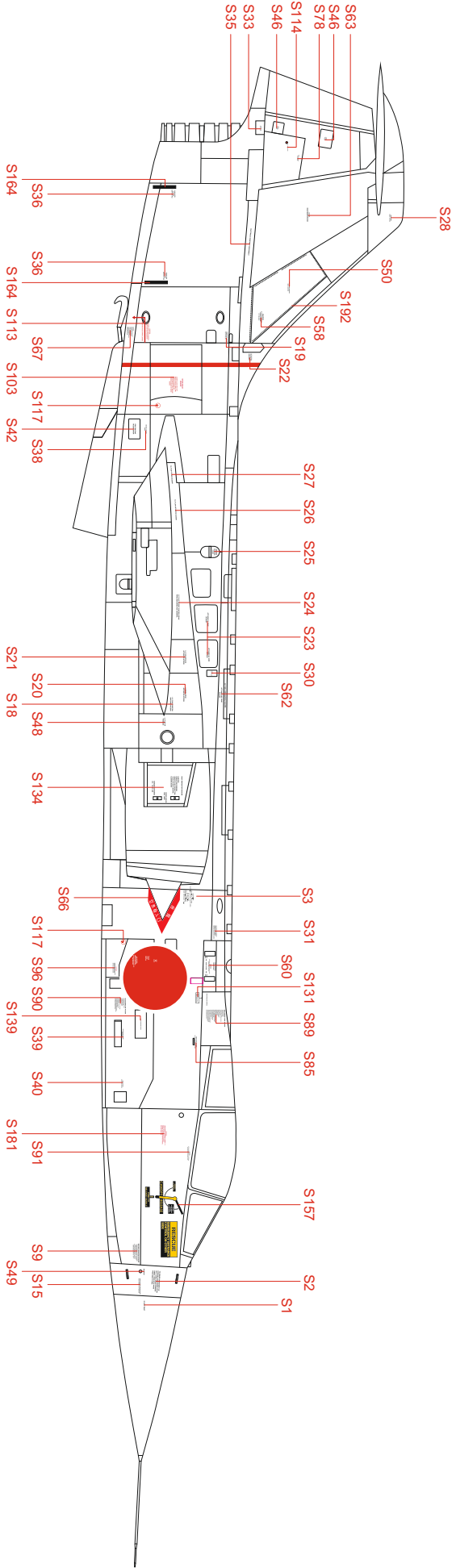
STAINLESS	MC213	MMM 006	GREEN	H309MMP C309 031
SUPER FINE SILVER	SM201	MMC 001	BLACK	H12 MMP C33 047
			TAN	H27 C44
			GRAY	H305MMP C305 084
			GRAY	H308MMP C308 073

H s/n 56-8673, 203. Hikótai, Čitose, Japonsko, říjen 1979



STAINLESS	MC213	MMM	006	GREEN	H309MMP	C309	031	SUPER IRON	SM203	SUPER STAINLESS	SM204
SUPER FINE SILVER	SM201	MMC	001	BLACK	H12 MMP	C33	047	WHITE	H11 MMP	C62	001
									LIGHT GRAY	H57	C73
									TAN	H27	C44
									RED	H3	MMP C3 003

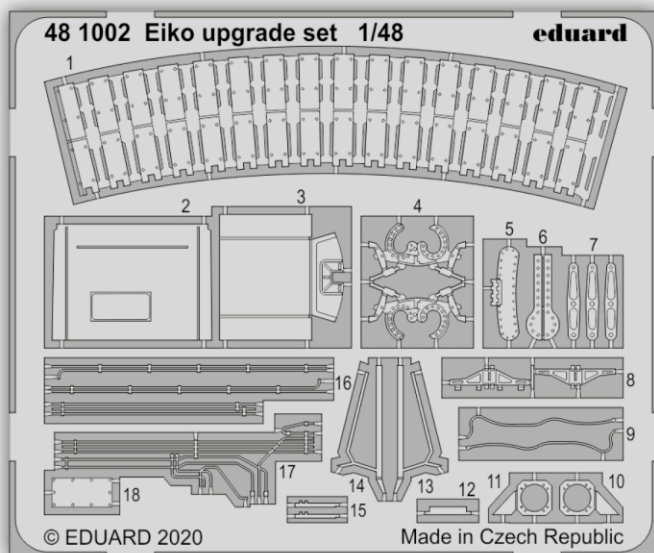
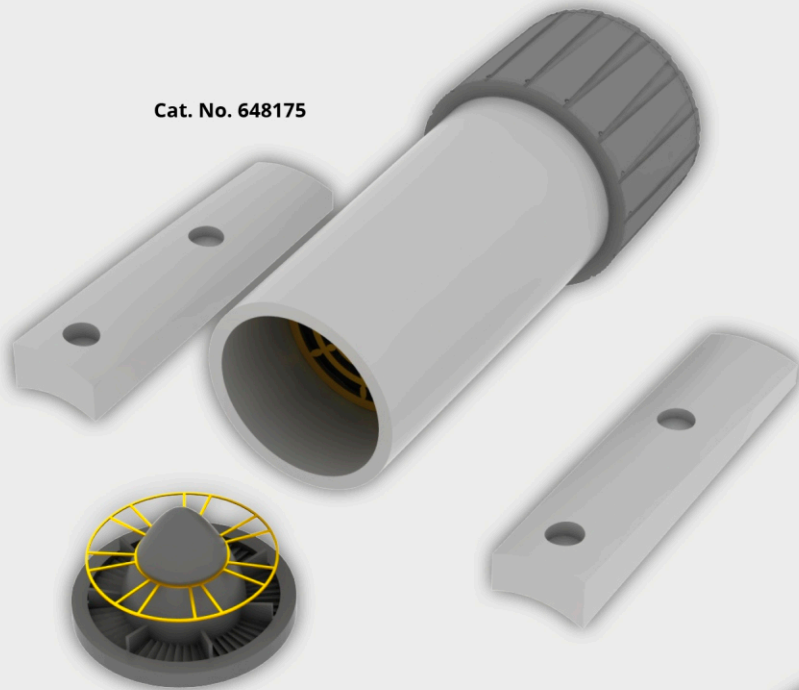




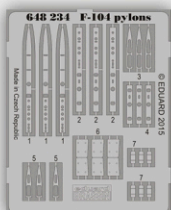
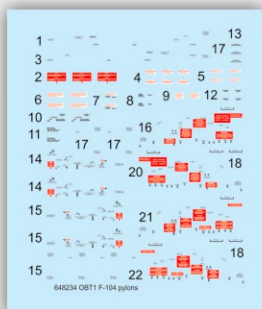
RELATED PRODUCTS for F-104J

- 481002 Eikó upgrade set 1/48 (PE-Set)
- 648175 F-104 exhaust nozzle late 1/48 (Brassin)
- 648181 F-104 undercarriage wheels late 1/48 (Brassin)
- 648234 F-104 pylons 1/48 (Brassin)
- 644034 F-104J Lök (Brassin) release 02/2020

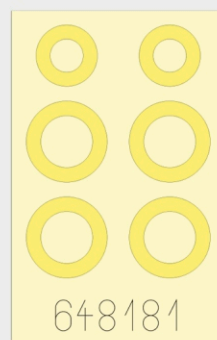
Cat. No. 648175



Cat. No. 481002



Cat. No. 648181



Cat. No. 648234

