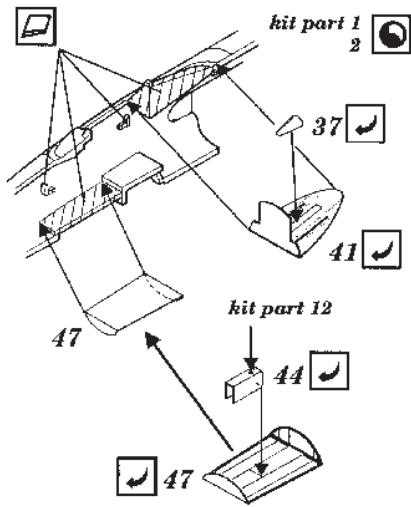
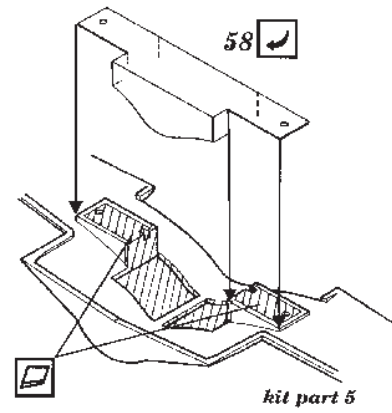


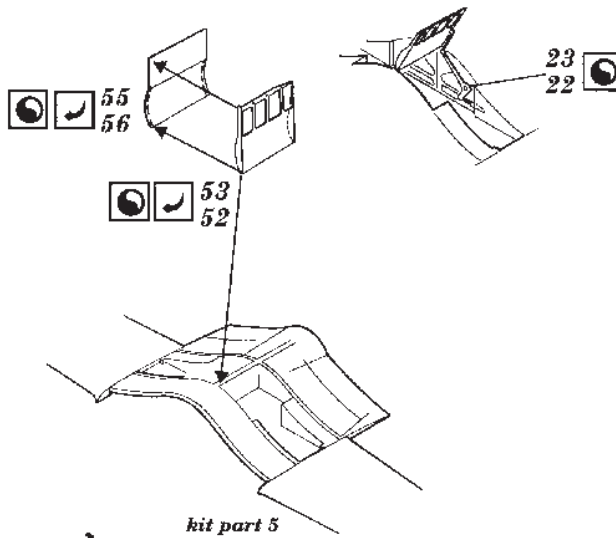
C FUSELAGE



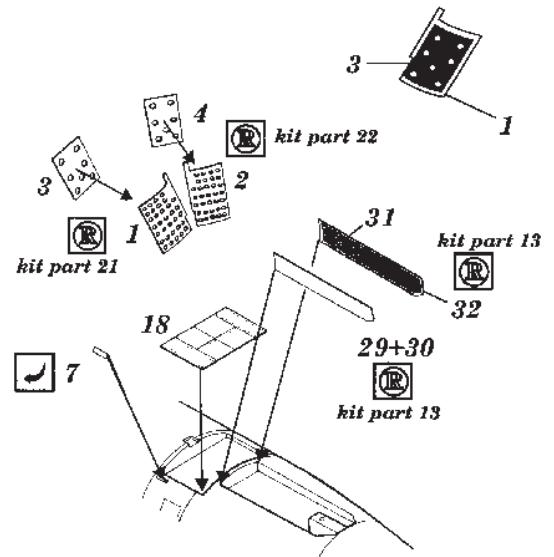
D MAIN WHEEL WELL



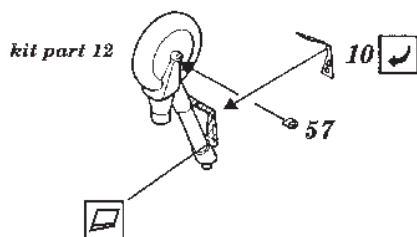
E MAIN WHEEL WELL DOORS



F AIR BRAKES



G NOSE UNDERCARRIAGE



H MAIN UNDERCARRIAGE

