

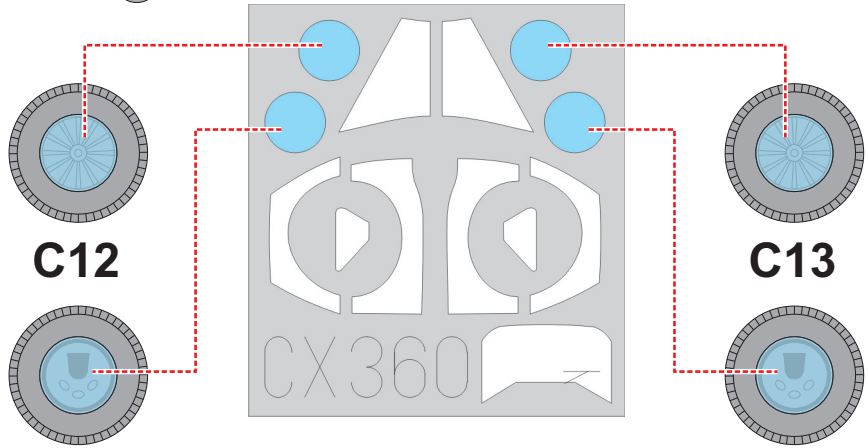
eduard
MASK

CX 360

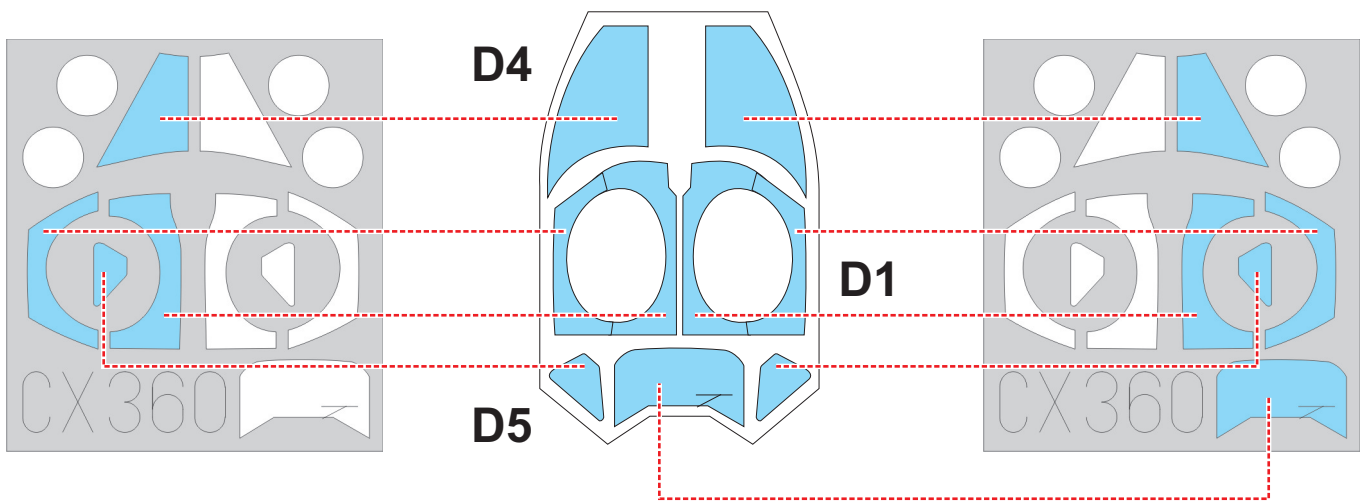
Vampire T.11 1/72

The die-cut mask for accurate canopy frame painting of the
Airfix scale 1/72 KIT

1.)

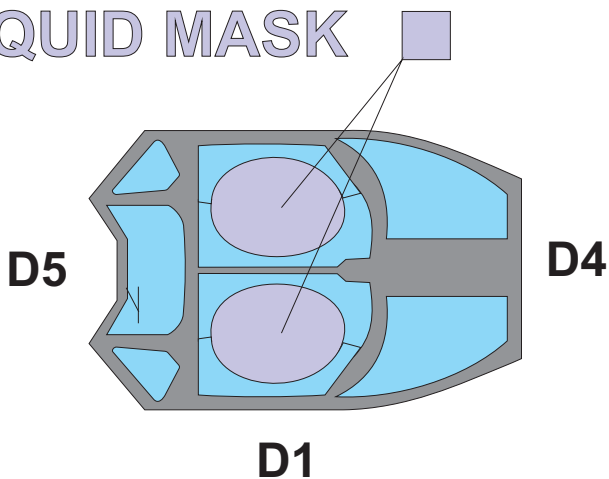


2.)



3.)

LIQUID MASK



4.)

