

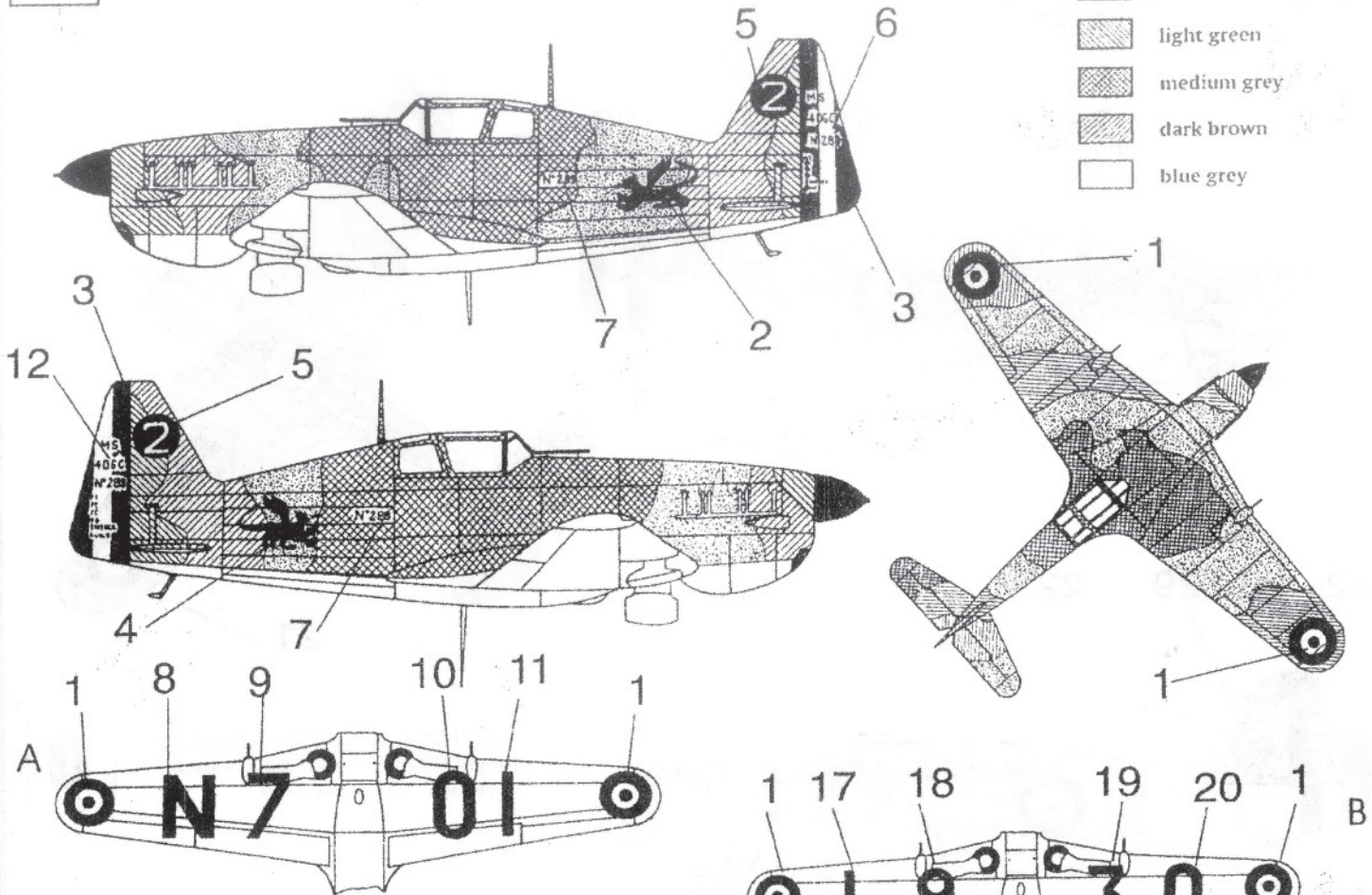
FRENCH ACES - FRENCH CAMPAGNE

1/48 scale detail sheet for MS - 406C1 & Curtiss H-75

A

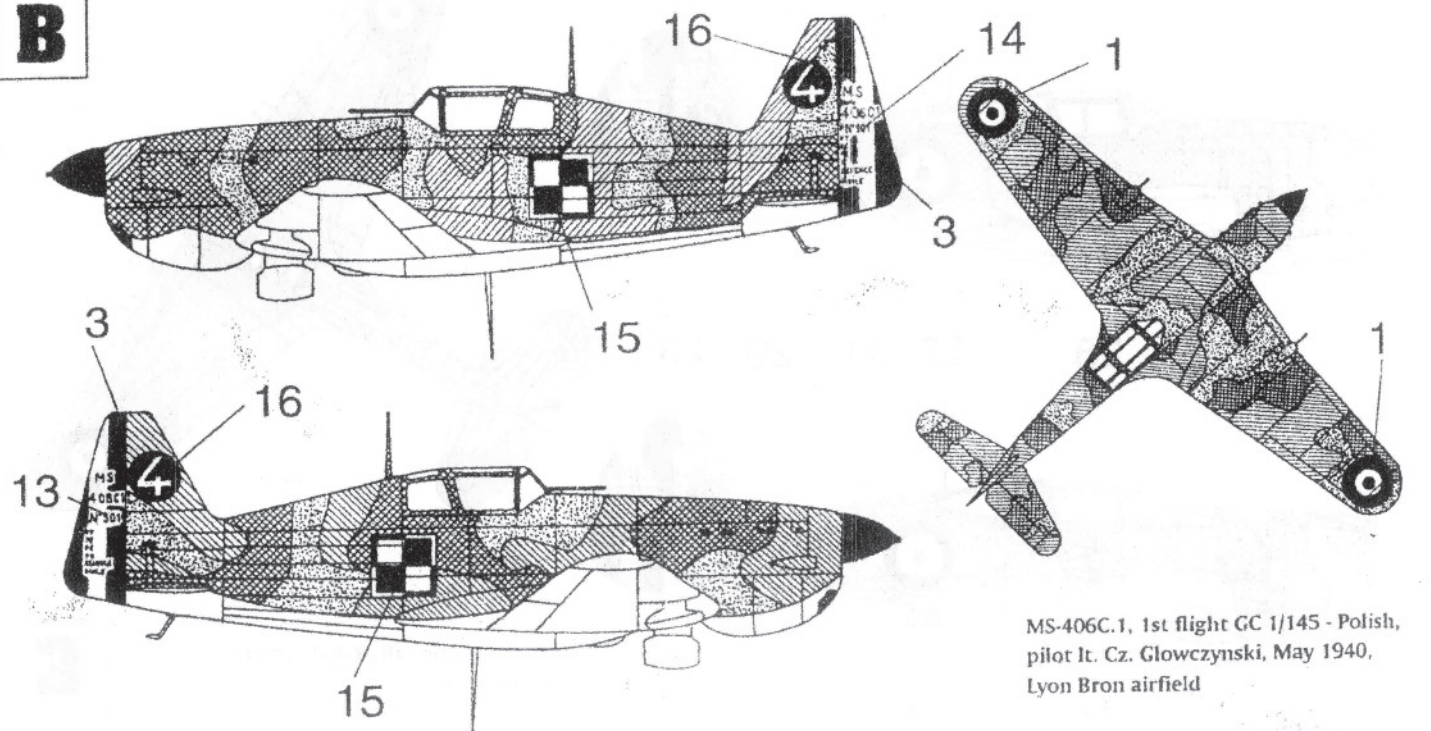
MS - 406C.1, 3th flight GC II/2, tactical number 2. Czech pilots lt. J. Hybner and sgt. K. Seda, May - June 1940, Chartres airfield

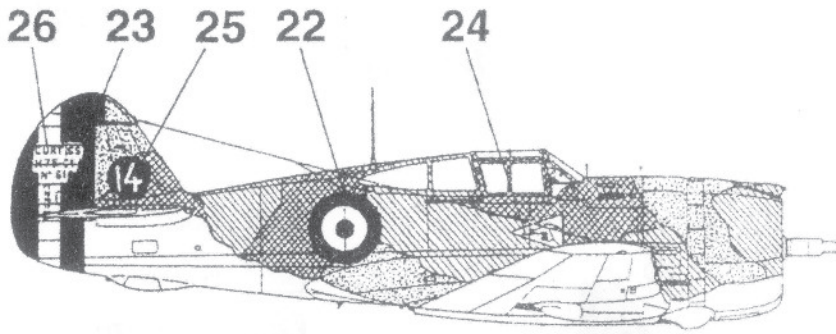
-  khaki
-  light green
-  medium grey
-  dark brown
-  blue grey



B

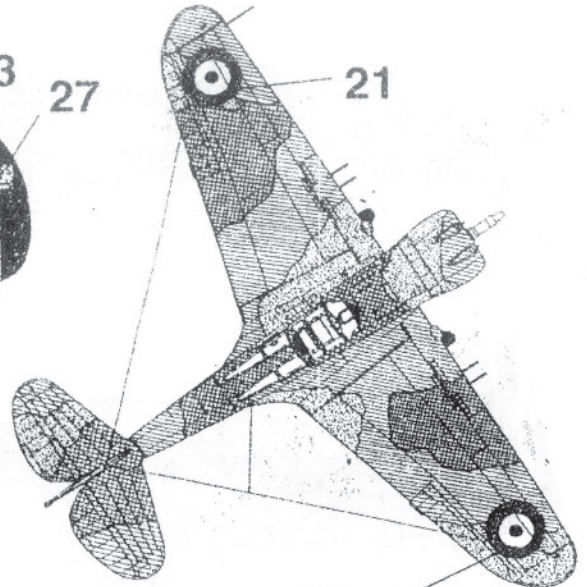
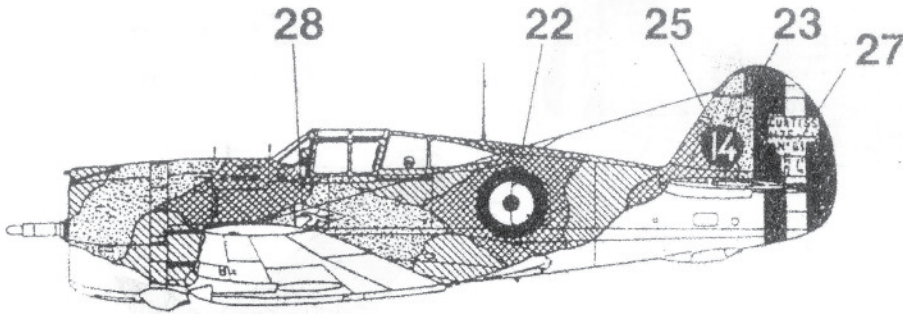
MS-406C.1, 1st flight GC I/145 - Polish, pilot lt. Cz. Glowczynski, May 1940, Lyon Bron airfield





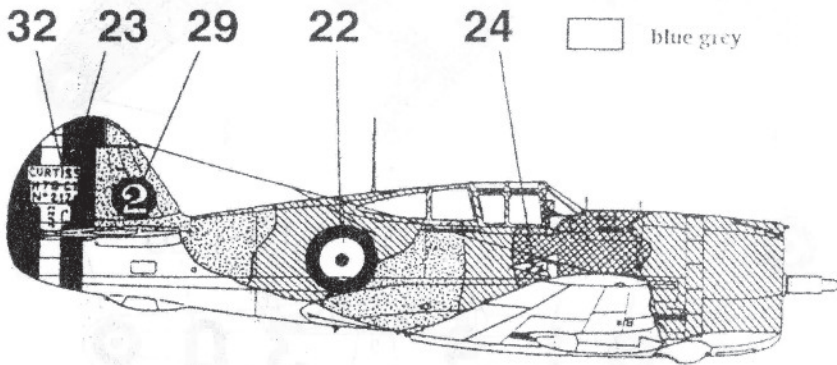


Curtiss H 75 A - 3 , tactical number 14 ,
1st flight GC 1/5, Czech pilot kpt. A. Vasatko
14 victories May - June 1940

C

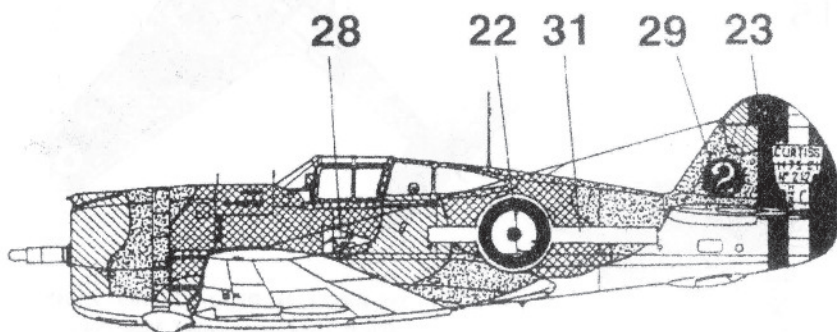
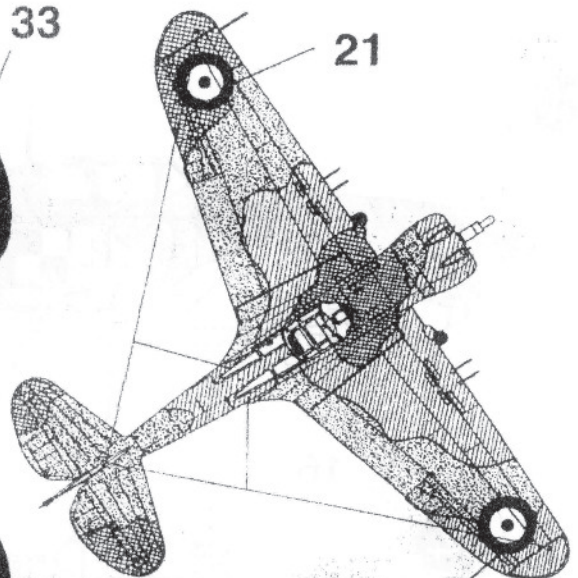
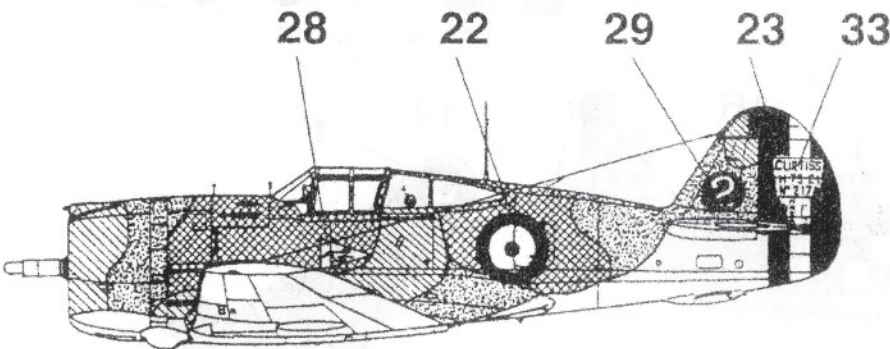


-  khaki
-  dark brown



Curtiss H -75 A - 3 , tactical number 2 ,
1st flight GC 1/5, pilot Lt. Marin la Meslee ,
20 victories, May - June 1940

D



The same aircraft, Rabat airfield ,
Spring 1941

E